

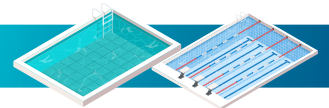


NEW 2024

ULTRA TOP & ULTRA SIDE

Innovative design and superior performance

- **Recyclable HDPE tank:** High-density polyethylene
- **Flow rate from 10m³/h to 14m³/h** (Ultra Top)
- **Flow rate from 10m³/h to 30,5m³/h** (Ultra Side)
- For pools from **60 to 180m³**
- Integrated meter
- Reinforced design
- Maximum operating pressure: **2.8 bar (40 PSI)**
- Maximum operating temperature: **50°C**
- 6-way valve



TANK WARRANTY

**10
YEARS**

VALVE WARRANTY

(excluding seals - domes - pressure gauge)

**2
YEARS**

FILTRATION EXCELLENCE

Ultra Top & Ultra Side filters represent the pinnacle of filtration technology. Rugged construction, **these filters withstand high pressure, guaranteeing exceptional durability even in the most demanding environments.** Advanced filtration technology uses specially designed elements to effectively remove impurities, fine particles, algae and other contaminants from water, creating water of unrivalled purity.

What's more, simplified maintenance makes it easy to clean and replace components, reducing downtime to a minimum. These filters are compatible with a variety of filtration pumps, offering easy integration into existing filtration systems, while maximizing energy efficiency to reduce operating costs.

These filters are suitable for a variety of applications, from residential pools to public aquatic complexes, and offer exceptional filtration, rock-solid durability and ease of maintenance, making them the ultimate choice for those who demand superior water quality.



Clamp with screw lock for easy installation and tool-free maintenance



Equipped with a 6-way multiport valve made of robust ABS and stainless steel



Easy-to-read pressure gauge for simple control



TANK MATERIAL
PEHD



MAX FUNCTIONING PRESSURE
40 psi / 2.8 bar

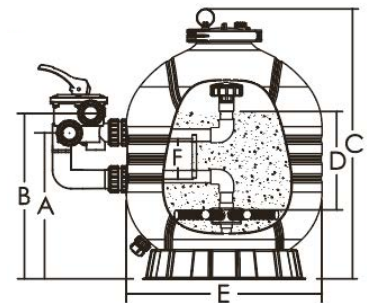


FILTER MEDIA GRANULOMETRY
0.5-0.8 mm



MAXIMUM TEMPERATURE
50°C (122°F)

	SIDE 20	SIDE 24	SIDE 27	SIDE 31	SIDE 35
References	PF-ULT500S	PF-ULT600S	PF-ULT675S	PF-ULT775S	PF-ULT875S
Maximum flow (m³/h)	10	14	18	23.5	30.5
Filtration area (m²)	0.20	0.28	0.36	0.47	0.61
Addressable volume (m³ in approximately 6h)	60	80	105	140	180
Input/output connections	1.5" / 50mm		2.0" / 63mm		
Diameter (mm)	500	600	675	775	875
Sand (kg) / Glass (kg)	70 / 55	125 / 100	185 / 150	320 / 255	430 / 345
Dimensions (AxBxC)	396 x 549 x 760	430 x 493 x 825	460 x 546 x 946	508 x 594 x 968	564 x 650 x 1086
Dimensions (DxExF)	225 x 500 x 125	280 x 600 x 125	300 x 675 x 130	370 x 775 x 130	440 x 875 x 130
Warranty	Tank: 10 years / Valve: 2 years				



	TOP 20	TOP 24
References	PF-ULT500T	PF-ULT600T
Maximum flow (m³/h)	10	14
Filtration area (m²)	0.20	0.28
Addressable volume (m³ in approximately 6h)	60	80
Input/output connections	1.5" / 50mm	
Diameter (mm)	500	600
Sand (kg) / Glass (kg)	70 / 55	125 / 100
Dimensions (AxBxC)	889 x 772 712	980 x 860 x 800
Warranty	Tank: 10 years / Valve: 2 years	

