

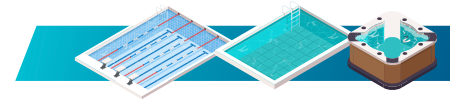


NEW 2024

THINCLEAR MULTI

For crystal-clear water

- **Eco-Friendly:** no backwash
- Filtration fineness: **15 µm**
- Ideal for pools **from 110 to 190m³**
- **Flow rates from 18m³/h to 32m³/h**
- Compact design
- Equipped with **ergonomic removable handle**
- Maximum operating temperature: 40°C



TANK WARRANTY 10 YEARS

WARRANTY 3 YEARS
(excluding seals - plugs)

	330	430	530	680
Maximum flow (m³/h)	28.1		34.1	
Recommended flow (m³/h)	18	20	25	32
Surface filtration (m²)	30.73	39.97	49.19	63.17
Addressable volume (m³ in approximately 6h)	110	120	145	190

✔ **MORE ECO-RESPONSIBLE FILTRATION**

Thinclear Multi offers a large filtration surface for maximum removal of impurities. Unlike sand filters, filter cartridges don't need to be backwashed; they simply need to be cleaned with a jet of water. This system will save you a great deal of water every year.

✔ **EASY TO USE**

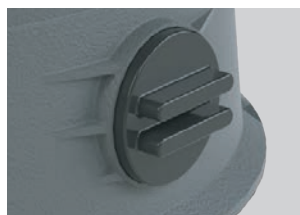
- Easy-grip lid handle
- Indicator pressure gauge to let you know when maintenance is due
- Knee-high tank base for easy cartridge replacement
- Water drainage system for quick and easy winterization



High-flow safety valve



Removable handle

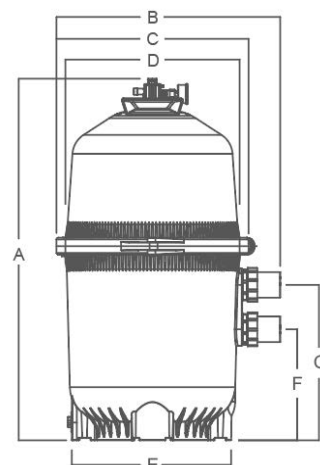


Large water drain



Smart pressure gauge

	Thinclear 330	Thinclear 430	Thinclear 530	Thinclear 680
References	PF-TCR330	PF-TCR430	PF-TCR530	PF-TCR680
Maximum flow (m³/h)	28.1	34.1	34.1	34.1
Recommended flow (m³/h)	18	20	25	32
Filtration area (m²)	30.73	39.97	49.19	63.17
Addressable volume (m³ in approximately 6h)	110	120	145	190
Connections Input/output	2"/2.5" - 50/63mm			
Flow speed (m³/h/m²)	0.6	0.5	0.5	0.5
Dimensions in mm (AxBxC)	886 x 648 x 556	1035 x 648 x 556	1223 x 648 x 556	1362 x 648 x 556
Dimensions in mm (DxExFxG)	504 x 462 x 317.5 x 444.5			
Warranty	10 years			



FILTER CARTRIDGE

The filter cartridge is a high-quality filtration solution, offering exceptional performance thanks to state-of-the-art filter materials.

	330	430	530	680
References	PF-TCR330CT	PF-TCR430CT	PF-TCR530CT	PF-TCR680CT
Dimensions H (mm)	Ø 498	Ø 647	Ø 835	Ø 485
Dimensions I (mm)	Ø 178			
Filtration fineness (µm)	15			
Number of folds	198	197	187	209
Number of elements		4		8

