



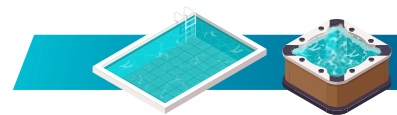
NEW 2024

THINCLEAR MONO

For ultra-clear, top-quality water

- **Eco-Friendly:** no backwash
- Filtration fineness: **15 µm**
- **Flow rate 13m³/h to 19m³/h**
- Ideal for pools from **80 to 110m³**
- Compact design
- Corrosion-resistant and durable materials
- Maximum operating temperature: 40°C

	100	150	200
Maximum flow (m ³ /h)	22.7	27.2	27.2
Recommended flow (m ³ /h)	13	17	19
Filter surface (m ²)	9.29	13.94	18.58
Addressable volume (m ³ in approximately 6h)	80	100	110



TANK WARRANTY **10 YEARS**

WARRANTY
(excluding seals - plugs) **3 YEARS**

✔ **MORE ECO-RESPONSIBLE FILTRATION**

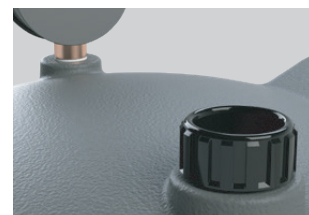
Thinclear Mono offers a large filtration surface for maximum removal of impurities. Unlike sand filters, filter cartridges don't need to be backwashed; they simply need to be cleaned with a jet of water. This system will save you a great deal of water every year.

✔ **EASY TO USE**

- 🔄 4 mounting holes
- 🔄 Easy-grip lid handle
- 🔄 Indicative pressure gauge shows when maintenance is due
- 🔄 Knee-high tank base for easy cartridge replacement



Quick-release locking ring



Safety valve

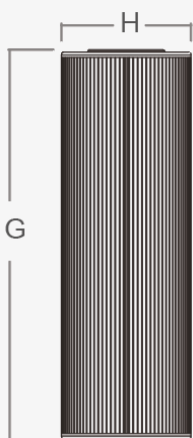
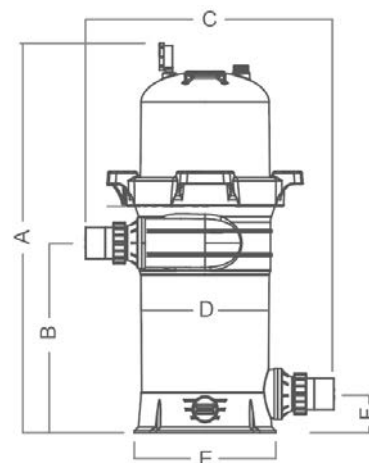


Large water drain



Smart pressure gauge

	Thinclear 100	Thinclear 150	Thinclear 200
References	PF-TCR100	PF-TCR150	PF-TCR200
Maximum flow (m³/h)	22.7	27.2	27.2
Recommended flow (m³/h)	13	17	19
Filtration area (m²)	9.29	13.94	18.58
Addressable volume (m³ in approximately 6h)	80	100	110
Input/output connections	2"/2.5" - 50/63mm		
Dimensions in mm (AxBxC)	825 x 444.5 x 588	910 x 444.5 x 588	1033 x 444.5 x 588
Dimensions in mm (DxExF)	304 x 335 x 91		
Flow speed (m³/h/m²)	1.5	1.2	1.0
Tank warranty	10 years		



FILTER CARTRIDGE

The filter cartridge is a high-quality filtration solution, offering exceptional performance thanks to state-of-the-art filter materials.

	100	150	200
References	PF-TCR100CT	PF-TCR150CT	PF-TCR200CT
Dimensions G (mm)	Ø 497	Ø 590	Ø 717
Dimensions H (mm)	Ø 267		
Micron (µm)	15		
Number of folds	137	172	187

