

Sel In electrolyser

Compact, high-performance salt treatment

- **Ultra-compact & easy to install:** Sel In requires very little installation space: 20cm at most. For installation, this chlorinator only needs a connection to the hydraulic circuit.
- **5 operating modes + 1 Boost mode:** the modes are set intuitively, simply by selecting the current season (spring, summer, comfort), and can be adapted to sudden weather changes with the Boost ++ mode, which speeds up water disinfection. de l'eau.
- **Pool-Terre included:** the Pool-Terre allows static electricity to be discharged to earth to prevent it being diffused into the water, and prevents oxidation of the equipment.
- **3g/L low salinity operation:** Sel In is an economical device, requiring just 3 grams of salt per litre to disinfect your pool.
- **10,000h Long Life guarantee:** the titanium-plate cell guarantees 10,000 hours of use.

GUARANTEE
Box + cell **5 years**

6 OPERATING MODES

Cover	Spring	Comfort	Summer	Summer +	Boost ++
25 %	50%	75 %	100 %	150 %	300 %

Efficiency and longevity in an ultra-compact system, the Sel-In comes with a range of essential accessories for easy installation and maintenance.

A new-generation electrolyser, the Sel In is a concentration of cutting-edge technologies in a compact electrolysis cell with on-board electronics.

The Sel In puts aside the frills to concentrate on the essential components that define the quality of an electrolyser. An approach that keeps it as affordable as possible.

The electronics in this new-generation salt water chlorinator are integrated into the cell for easy installation. The cell is ultra-compact, however, to ensure that the appliance fits into the smallest possible space.

Like the market-leading chlorinators, the electrolysis plates are made of titanium treated with ruthenium/iridium.

Their thickness of 1mm guarantees a service life of 10,000 hours. In addition, the cell is automatically cleaned by reversing the polarity. Poollex goes further to simplify annual maintenance by supplying the accessories needed to clean and winterise the chlorinator.

The Sel In offers 6 operating modes calibrated according to the temperature of the pool water, including a boost mode and a manual 'cover' mode only if your cover remains in place for more than 3 days.

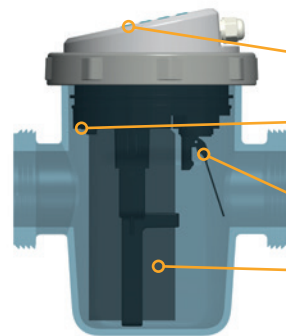
The range includes 6 production models from 4g/h to 30g/h* for pools from 20 to 120 m³. In short, with Sel In, you're at the service of all pool owners, above-ground and in-ground.

*Sodium hypochlorite (natural chlorine)



Intuitive operation

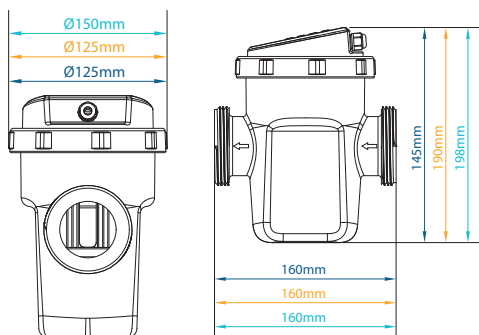
- On/Off
- Water temperature & Production rate
- Change of operating mode
- Reverse polarity setting
- "Super Boost" mode
- Low salt alert



Simplified use

- Control panel
- Temperature sensor
- Flow sensor
- 1mm titanium + ruthenium / iridium plates

3 compact dimensions :



Reference	CL-SL20	CL-SL30	CL-SL50	CL-SL75	CL-SL90	CL-SL120
Basin volume (m ³)	20	30	50	75	90	120
Production g/h	4	6	10	15	20	30
Connection	50mm glue-on / 32 / 38mm adapters					
Salinity	3,5ppm					
Protection	IPX4					
Closed pool mode	Yes, manual					
Self-cleaning	Reverse polarity, adjustable					
Alarms	Salt level too high / Low, insufficient water flow					
Cell orientation	Horizontal or vertical					
Case dimensions	125 x 160 x 145 mm		125 x 160 x 190 mm		150 x 160 x 198 mm	
Cell size	Length 40cm with fittings - DN 50mm					
Modes	Automatic / Winterisation / Chlorine shock					
Guarantee	5 years: case + cell 10,000h					

Accessories included



2x 50mm glue-on connectors



2x 32/38mm connectors



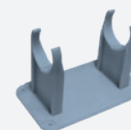
Cleaning plug



Wintering tube



Pool-Terre



Multi-position mounting bracket (optional)