

Robotic Pool Cleaner LIBERTY

LIBERTY™ 200 | 300

LIBERTY 200 | 300 User Instructions



8151995



Dolphin™ | maytronics

EN

Robotic Pool Cleaner LIBERTY 200 | 300

User Instructions

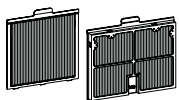
Contents

1. Pool cleaner parts.....	3
2. Specifications.....	3
2.1 Robot	3
2.2 Water conditions.....	3
3. Features and indications	4
4. Charging recommendations.....	4
5. Removing the robot out of the pool using click-up™ (for LIBERTY 300)	5
5.1 Removing the robot out of the pool using grab hook (for LIBERTY 200)	5
6. Cleaning the filter basket.....	6
7. Periodic cleaning - recommended at least once a month.....	7
8. Troubleshooting	8
9. Off-season storage.....	9
10. Warnings and cautions.....	9
10.1 Warnings	9
10.2 Cautions	9

Robotic Pool Cleaner LIBERTY 200/300

User Instructions

1. POOL CLEANER PARTS



Extra filter panels*



Filter basket



Grab hook



Clicker*



Charger

* For LIBERTY 300

2. SPECIFICATIONS

2.1 Robot

Water temperature range: 6°C-35°C / 43°F-95°F

Water depth range: 0.4m-2.5m / 1.33ft-8.2ft

Motor protection: IP 68

Chlorine - 4 ppm, Max.

pH - 7.0-7.8

NaCl - 5000 ppm, Max.

Battery Lithium-ion | 5,000mAh | 25.2V@5Ah / 126Wh

Charger protection: IP 54

2.2 Water Conditions

Use only the robotic pool cleaner in the following water conditions:

- Chlorine: 4 ppm max.
- pH: 7.0 – 7.8
- Temperature: 6°C – 35°C / 43°F – 95°F
- NaCl: 5000 ppm max.

3. FEATURES AND INDICATIONS



Cycle Selector - LIBERTY 300

Use Cycle Selector to customize cleaning mode to "Floor only":

1. Press ON to activate until the LED lights up.
2. Press ON again for 3 seconds until the purple LED blinks 3 times.

Place the robot in the pool, and within 30 sec, it will start cleaning the pool floor. After cleaning cycle (90 minutes each cycle), the robot will return to default "Floor and Walls" mode.



Step 1



Step 2



Eco Mode - LIBERTY 300

Use Eco Mode to keep your pool floor clean for a week on one charge. The robot will automatically clean the pool floor for up to 30 min, 3 times a week, with 48 hours between cleaning cycles.

1. Press ON to activate until LED lights up.
 2. Press ON again for 6 seconds until the purple LED light turns green.
- Place the robot in the pool, and within 30 sec, it will start working.



Step 1



Step 2



Step 3



Temperature Warning

In case of temperature warning notification, place and charge the pool cleaner in a protected and shaded area, at a temperature range of 6°C - 35°C / 43°F - 95°F.



Error

In case of error notification, please refer to troubleshooting.

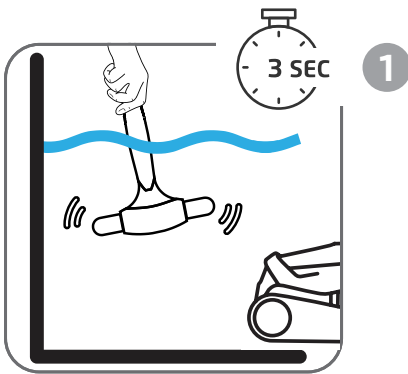


or contact customer care - www.maytronics.com

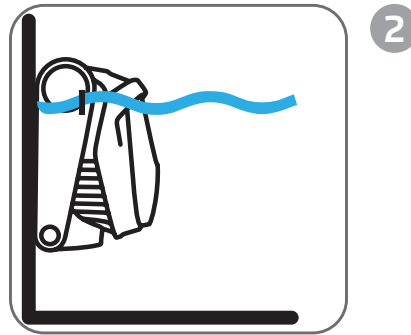
4. CHARGING RECOMMENDATIONS

- When the battery is low and all indicators are off - the cleaner is on standby mode. Connect to charger to wake it up.
- Always Charge the pool cleaner in a protected and shaded area at a temperature range of 6°C - 35°C / 43°F - 95°F, until you see 3 green bars in the battery indicator panel (up to 6 hours).
- Make sure that the charger surface and power unit surface are clean, and there is no object between the robot and the charger.

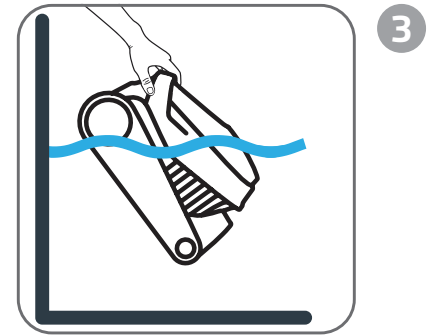
5. REMOVING THE ROBOT OUT OF THE POOL USING CLICK-UP™ (for LIBERTY 300)



1. Place the black capsule of the clicker, in the water.
2. Make sure the clicker is no more than 8 m/26 ft away from the robot.
3. Shake the clicker for at least 3 seconds.



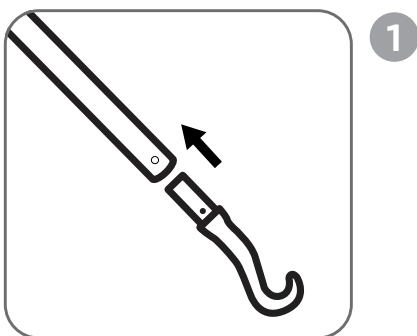
After a few seconds the robot will climb to the waterline and will wait there for 60 seconds to be collected.



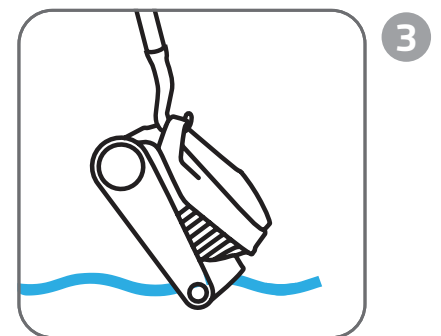
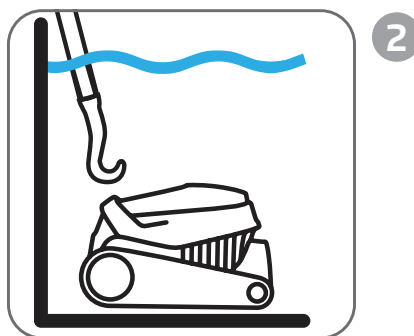
Take the robot easily out of the water.

- The robot will climb the nearest wall, and will wait for 60 seconds on the waterline.
- If you can't reach this wall, wait for the robot to move to another wall. Shake the clicker and the robot will climb to the waterline.

5.1 Removing The Robot Out Of The Pool Using Grab Hook (for LIBERTY 200)



- Standard pole.
Not included.



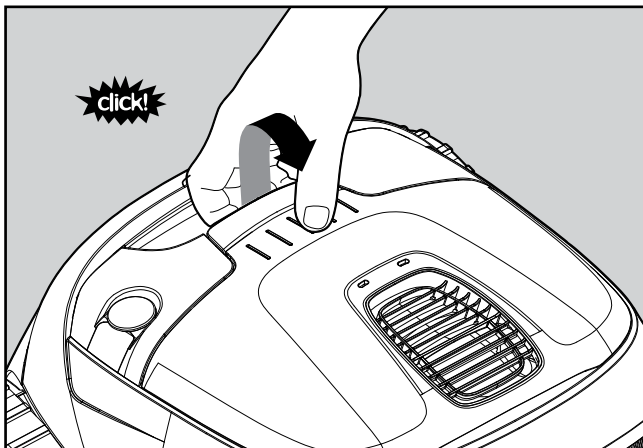
- After finishing its cleaning cycle, the robot will stop next to a random wall, so you will be able to pick it up with the grab-hook.

6. CLEANING THE FILTER BASKET

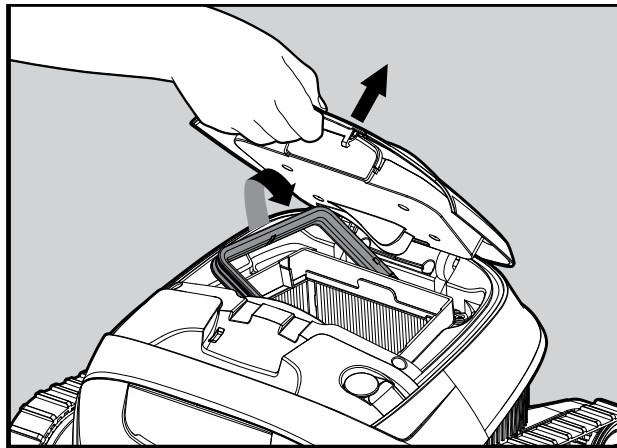
It is highly recommended to clean the filter basket after each cleaning cycle.

Note: Do not let the filter basket dry out before cleaning.

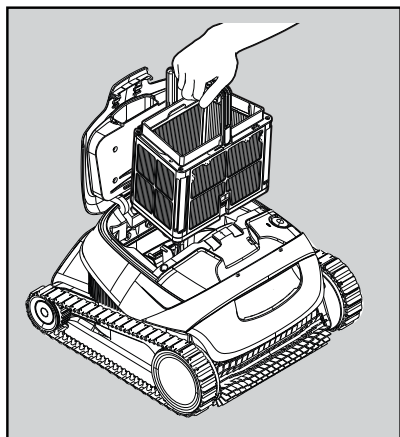
Cleaning after use - removing and cleaning the filter basket



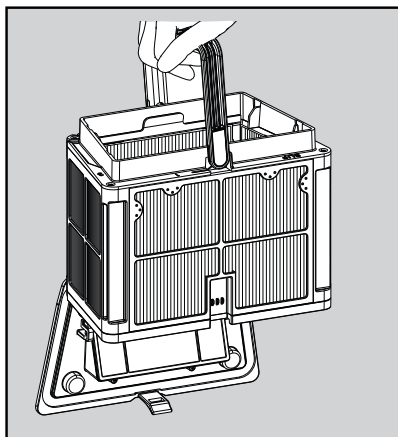
Open the filter cover.



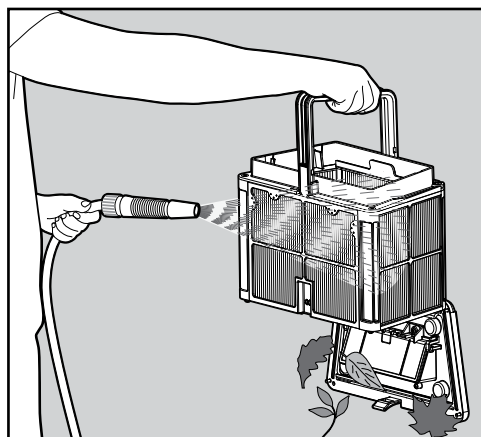
Upon opening the filter cover, the handle will lift independently.



Lift up the basket.



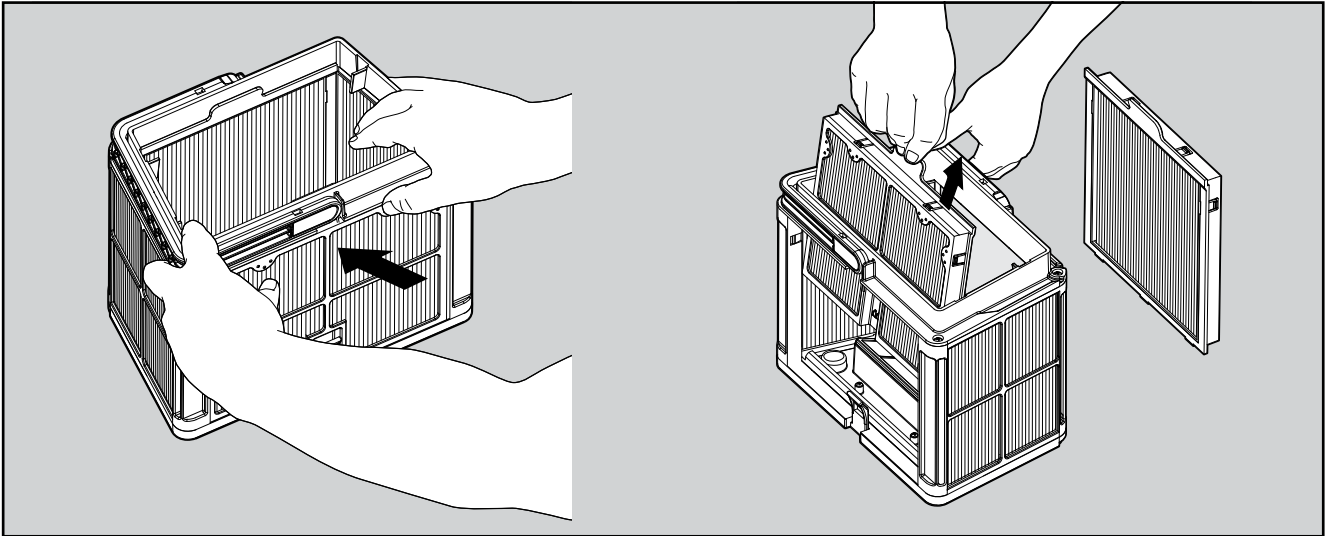
Open the latch to release the bottom lid in order to remove the debris.



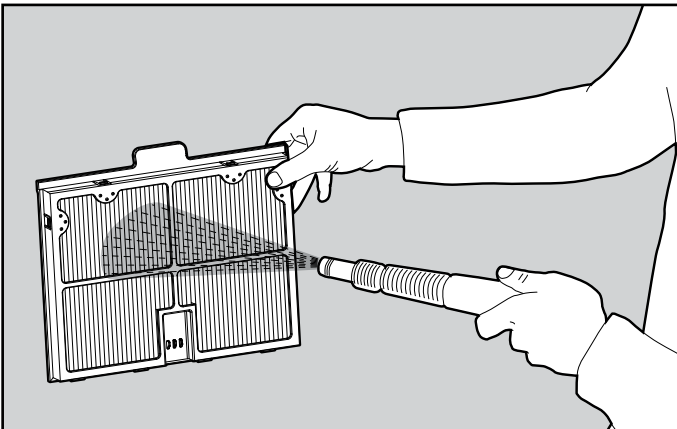
Clean the filter basket with a hose.

7. PERIODIC CLEANING - RECOMMENDED AT LEAST ONCE A MONTH

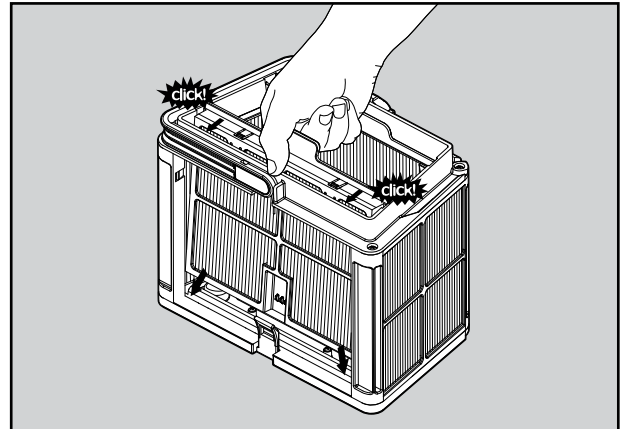
Dismantle the 2 ultra-fine filter panels of the basket, according to the following steps:



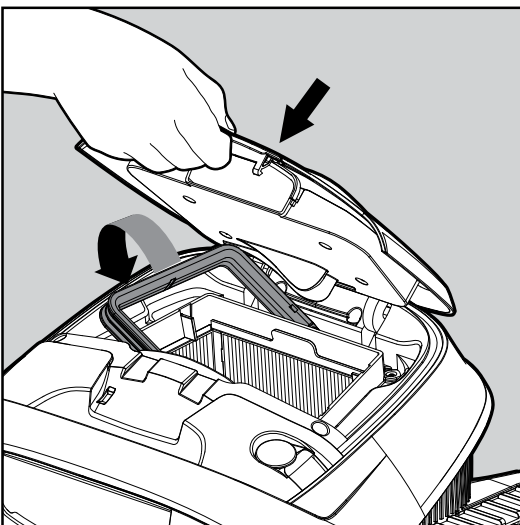
Dismantle the 2 panels using your thumbs.



Clean the filter panels with a hose.



Assemble the filter panels.



Insert the clean filter basket and close the filter cover.

8. TROUBLESHOOTING

Main Symptom	Additional Symptoms	Troubleshooting Steps - Customer
The robot doesn't charge	Robot's Battery LEDs are blinking in a special pattern (central LED - then right and left LEDs). The issue occurred while the robot was connected to the charger	<ol style="list-style-type: none"> 1. In case the robot feels hot to the touch: charge the robot in a shaded location or when the temperature is low, for example: overnight / indoors. 2. In case the robot feels cold to the touch: try charging the robot in a warmer location.
	The Power Unit doesn't show any LEDs at all	Try connecting the charger to a different power outlet. Make sure that the charger LED is on.
	The Power Button LED is red	<ol style="list-style-type: none"> 1. Try disconnecting the charger from the Power Unit and connecting it back a few times. 2. Check whether an object is blocking the connection between the charger and the Power Unit.
	The charging process stops, and the Power Button LED is blinking red for a short period of time	<ol style="list-style-type: none"> 1. Make sure that the charger is connected properly. 2. Check whether an object is blocking the connection between the charger and the Power Unit.
	Charging progress is stuck: one of the battery LEDs is blinking and doesn't switch to the steady light after a long period of time	<ol style="list-style-type: none"> 1. Check that the charger LED turns on. 2. Make sure that the charger is connected properly. 3. Check whether an object is blocking the connection between the charger and the Power Unit. 4. Charge overnight in a cooler location.
The battery is not full after charging	The robot's battery discharges while the robot is turned off	Fully charge the robot (until all battery LEDs are steady green), make sure that the robot is turned off. Do not start the cleaning process. Check the battery status after 2 days. If the battery charge level is significantly lower - contact Customer Care.
Red LED light appears above the power button		Make sure there's nothing stuck in the tracks or brushes. Clean the filter and make sure it's not clogged. Disconnect and reconnect the charger 3 times.
The robot will not start the cleaning cycle. The Power Button LED is red	The charging process works properly The robot finishes a 90-minute cleaning cycle During the Eco mode and Cycle Selector, the robot will climb the walls even if configured otherwise The robot will not respond to Click-Up™ properly - will start the cleaning cycle instead of waiting at the wateline	Contact Customer Care: wecare@maytronics.com
	The charger is connected to the robot	Disconnect the charger and press on the robot's power button to operate.
	The charger is disconnected from the robot. The charging process works properly	Contact Customer Care: wecare@maytronics.com

9. OFF-SEASON STORAGE

Before off-season or storing the robot during the winter - we recommend charging the battery at least 50% (2 green bars in the battery indicator panel).

Recommended storage temperature range: -10°C - 40°C / 14°F - 104°F.

After off-season storage, charge the robot to its fullest.

10. WARNINGS AND CAUTIONS

10.1 Warnings



- Remove the robotic pool cleaner from the pool before allowing people to enter the pool.
- When examining the robotic pool cleaner, make sure the robotic pool cleaner is switched OFF.
- Charge the battery only in the temperature range between 6°C to 35°C / 43°F to 95°F
- Keep the robotic pool cleaner out of the reach of children or persons with reduced physical, sensory, or mental capabilities, or lack of experience and knowledge, unless they have been given supervision or instruction. Cleaning and maintenance shall not be made by children.
- Use only the original battery charger.
- The battery charger must be supplied through a residual current device (RCD) having a rated residual operating current not exceeding 30mA.
- The power cord is not user-replaceable. If the power cord is damaged, stop using the battery charger and contact the service center for repair. Do not use extension cord to connect the battery charger to electric supply; provide a properly located outlet.
- DO NOT USE the robotic pool cleaner and/or its battery / power pack in case of mechanical damage to the robotic pool cleaner and/or its battery.
- To avoid the risk of fire and burns, DO NOT open, crush, heat, or burn the battery case.

10.2 Cautions



- Keep hands and fingers away from impeller motor area and driving belt mechanism to avoid injury.
- Position the battery charger at least 3.5 m / 12 ft from pool edge during operation.
- For continuous protection against possible electric shock, place the battery charger at least 11 cm / 4 in above ground.
- When lifting the robotic pool cleaner, take care to prevent back injury.
- Do not use the robotic pool cleaner if you have added liquid flocculant or any other clarifier to the pool water. These substances obstruct and damage the robot filters.
- The Lithium-Ion battery in this product is non-replaceable. It should be recycled at certified battery electronics recyclers that accept batteries. Batteries should NOT be discarded in the trash or put in municipal recycling bins. Do not disassemble the battery.

Contact us

North America

- ☎ US 1-888-365-7446
- ☎ Canada 1-855-634-8572
- ✉ customersupport@maytronicsus.com

France

- ☎ +33 (0)4 42 98 14 90
- ✉ support@maytronics.fr

Australia, NZ, South Africa

- ☎ 1 300 693 657
- ✉ infoau@maytronics.com

Rest of the world / Maytronics HQ

- ☎ 00 800 69694141 (toll free number)
- ☎ 00 972 77 96 14 204 (international call)
- ✉ wecare@maytronics.com