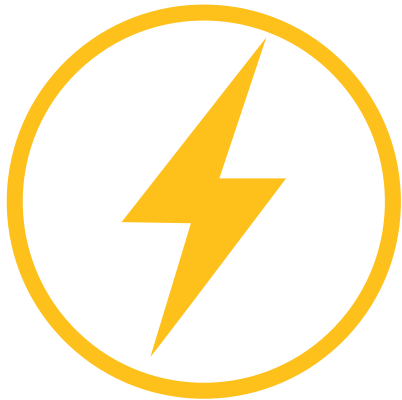
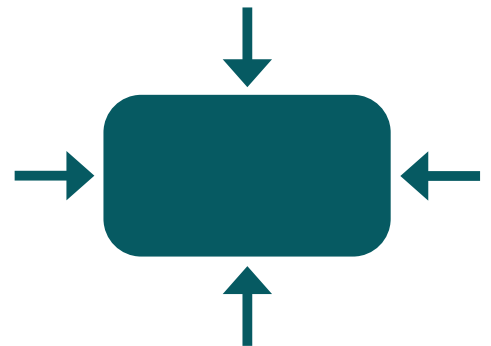


**PLUG AND PLAY
SOLUTION**



**ENERGY
EFFICIENCY**

**COMPACT
DESIGN**



Construction

Self-priming booster set with built in frequency converter.

MÈTA is a plug and play solution, the pump is equipped with an integrated pressure transducer, an integrated check valve and a built-in pressure vessel.

The VSD controls the start and stop of the pump and allows to keep a constant pressure.

Applications

For water supply.
For domestic use, for garden use and irrigation.

Features

- integrated frequency converter
- built-in pressure vessel
- high efficiency asynchronous single-phase motor
- motor power control
- programmable re-start pressure
- no hydraulic losses due to the measuring devices
- voltage and current control
- monitoring of maximum starting current

Protections

- dry-run protection
- detects the presence of air in the pump casing
- overload control and overheating motor control
- pump blockage
- power supply control
- starts per hour control
- detects small leakages in the system

Operating conditions

Liquid temperature: 0 °C to +35 °C.
Ambient temperature up to +40 °C.
Maximum permissible pressure in the pump casing: 8 bar.
Continuous duty.

Motor

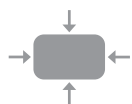
2-pole induction motor.
Nominal speed 4500 rpm
Motor: variable speed
Frequency: 50 Hz
Single-phase 220-240V~50Hz/220V~60Hz, with thermal protector.
Cable: H07RN8-F, 3G1,5 mm², length 1,5 m, with plug CEIUNEL 47166.
Insulation class F.
Protection IP X4.
Constructed in accordance with: EN 60034-1;
EN 60335-1, EN 60335-2-41.



EASY TO INSTALL
Plug And Play solution



ECONOMIC SAVING
IE4 high efficiency asynchronous single-phase motor
Up to 400W less energy consumption compared to a standard solution



EASY TO USE
Equipped with a programmable software and, thanks to the analogic pressure sensor, the product allows to set the restart pressure.

Materials

Component	Material
Pump casing	Cr-Ni steel 1.4301 EN 10088 (AISI 304)
Casing cover	Cr-Ni steel 1.4301 EN 10088 (AISI 304)
Pump Shaft	Chrome steel 1.4104 EN 10088 (AISI 430)
Suction casing	PPO-GF20 (Noryl)
Stage casing	PPO-GF20 (Noryl)
Impeller	Cr-Ni steel 1.4301 EN 10088 (AISI 304)
Membrane	Butyl
Tank cover	POM - POLYACETAL
Membrane cap	POM - POLYACETAL
Non-return valve	POM - POLYACETAL
Plug	Cr-Ni steel 1.4305 EN 10088 (AISI 303)
Mechanical seal	Carbon - Ceramic - NBR

Performance $n \approx 4500$ rpm

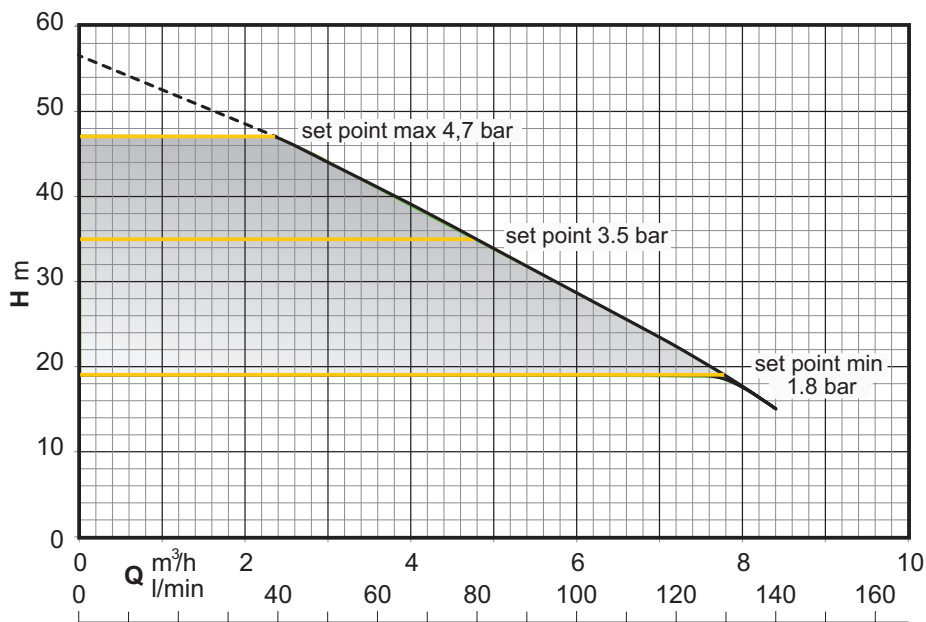
1 ~	230 V	P ₁	Q	0	2	3	4	5	6	6,5	7	8	8,4	
				0	33,3	50	66,6	83,5	100	108,3	116	133	140	
MÉTA	A	kW	l/min	H m	55	48	43,5	38,7	33,8	28,6	26	23,4	18,2	15

P₁ Max. power input.

Test results with clean cold water, without gas content.

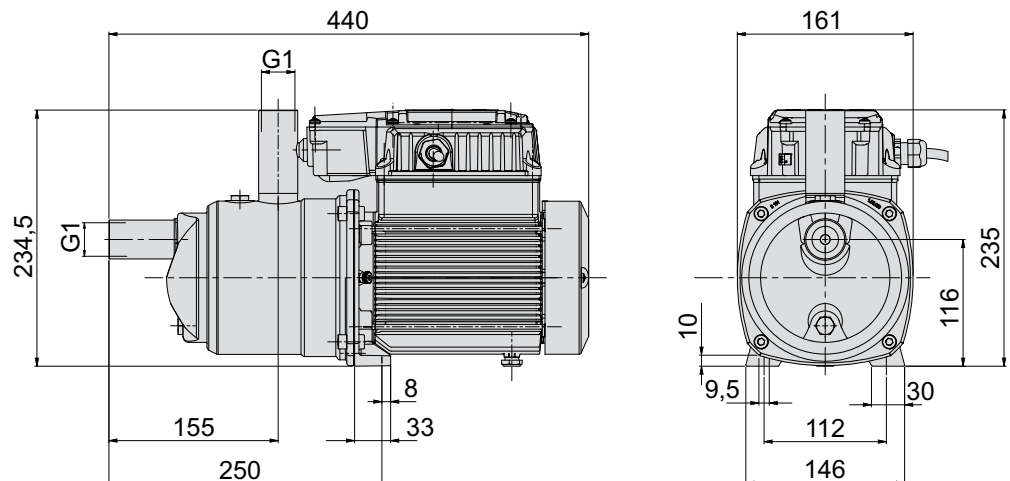
Tolerances according to UNI EN ISO 9906:2012

Characteristic curves $n \approx 4500$ rpm



Dimensions and weights

Net weight 12,44 kg
With cable length: 1,5 m



Control Panel



They allow to visualize:

- Initial screen (rUn, OFF, StB, Err)
- Motor Operating Frequency
- Delivery pressure measured by the transducer
- Supply current input
- Supply electrical power input
- Supply voltage

think outside the box

