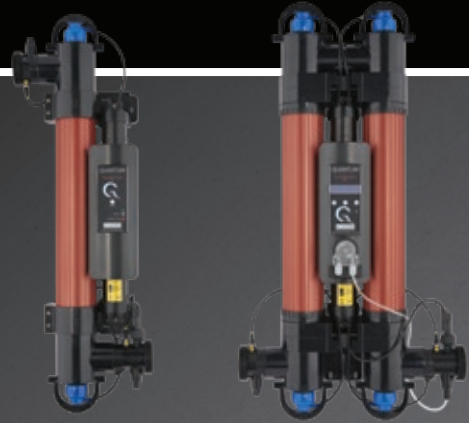


# QUANTUM

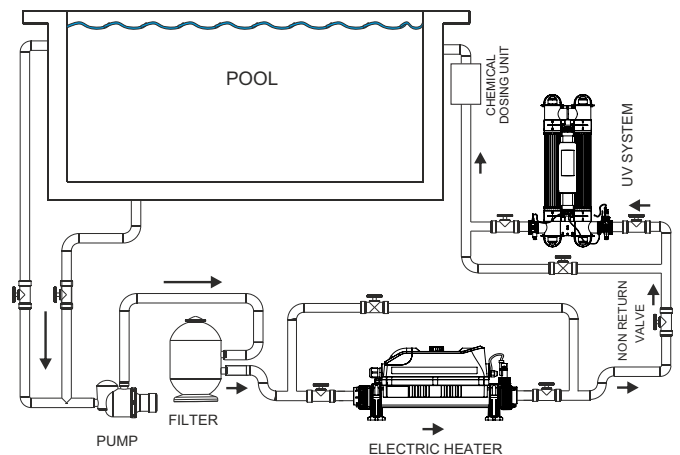
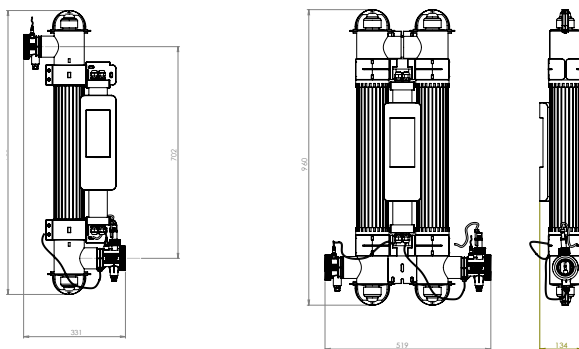
Quantum uses new ceramic Nano Crystal technology, a prime focus of the science world today; possessing the power to sterilise sewage into drinking water without the use of chemicals.



## FEATURES

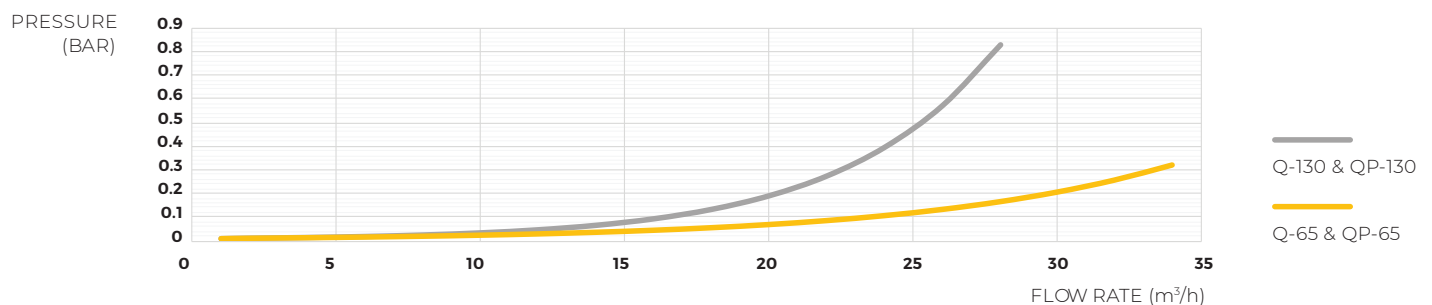
- Photocatalytic TiO<sub>2</sub>/Mo oxidiser and clarifier
- Combined photocatalytic, hydroxyl radical and UV technology
- Eliminates contaminants, leaving water looking fresh and clean
- Reduces the need for chemicals in the pool
- Keeps your family safe from dangerous microorganisms such as cryptosporidium, adenoviruses and naegleria fowleri
- Optional smart peristaltic dosing system for chlorine and hydrogen peroxide
- Powerful sterilisation and eliminates the smell of chlorine
- Average lamp life expectancy: 2 years
- Equipped with intelligent lamp life indicator
- Salt and sea water compatible

## TECHNICAL DRAWINGS



## PRESSURE DROP

### PRESSURE DROP PRIMARY CIRCUIT



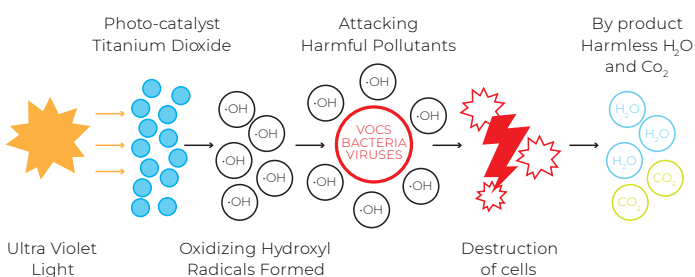
# SPECIFICATIONS

<b>POWER SUPPLY</b>	100V ~ 240V
<b>MIN. FLOW RATE</b>	4m <sup>3</sup> /h
<b>MAX. FLOW RATE</b>	Single Tube: 14,000 litres per hour; 14 m <sup>3</sup> /h Double Tube: 28,000 litres per hour; 28 m <sup>3</sup> /h
<b>MAX. POOL SIZE</b>	Single Tube: 65,000 litres; 65m <sup>3</sup> Double Tube: 130,000 litres; 130m <sup>3</sup>
<b>MAX. POWER CONSUMPTION</b>	Single Tube: 64W Double Tube: 128W
<b>LAMP</b>	Low pressure / high output
<b>LAMP LIFE</b>	14,000 hours
<b>DOSING RATE</b>	Exceeds the equivalent of 30mj/cm <sup>2</sup> at max. flow rate
<b>INTERNATIONAL PROTECTION MARKING</b>	IP64
<b>FREQUENCY</b>	50/60 Hz
<b>WORKING PRESSURE</b>	3 Bar maximum
<b>WATER CONNECTIONS</b>	2" / 63mm stepped ABS unions + reducers 1½" / 50mm
<b>SALT WATER</b>	100% sea water safe
<b>MOUNTING</b>	Floor or wall mounting
<b>OXIDISATION PROCESSES</b>	Quantum photocatalytic oxidiser (PCO) & hydroxyl radicals (HO)

# MODELS

100-240V 1-PHASE	MAX. POOL VOLUME	PRODUCT CODES			FEATURES	NET WEIGHT	GROSS WEIGHT	VOLUME
		UK Plug Type G	Euro Plug Type F	USA Plug Type B				
Lamp Output	m <sup>3</sup>					kg	kg	m <sup>3</sup>
55 WATTS	65	Q-65-UK	Q-65-EU	Q-65-USA	Analogue lamp life indicator & reset switch	7.1	9.7	0.11
110 WATTS	130	Q-130-UK	Q-130-EU	Q-130-USA	Analogue lamp life indicator & reset switch	11.6	15.1	0.15
55 WATTS	65	QP-65-UK	QP-65-EU	QP-65-USA	Digital lamp life countdown with intelligent dosing pump	7.4	10.1	0.11
110 WATTS	130	QP-130-UK	QP-130-EU	QP-130-USA	Digital lamp life countdown with intelligent dosing pump	11.9	15.5	0.15

## PHOTOCATALYTIC OXIDATION



## OXIDISATION STRENGTH (EV)

