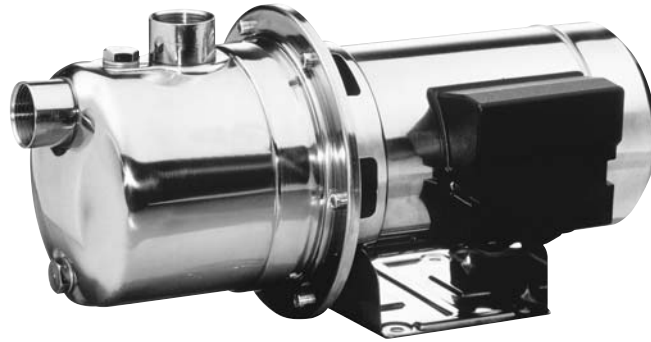


Self-priming Jet pumps manufactured in stainless steel AISI 304, suitable for water supply, domestic pressure boosting and small irrigation systems, pool and tank emptying and general clean water pumping.



SPECIFICATIONS

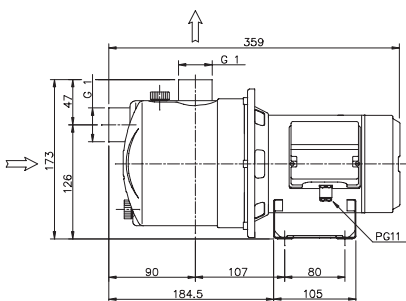
- Maximum working pressure: 6 bar
- Maximum liquid temperature: 45°C

MATERIALS

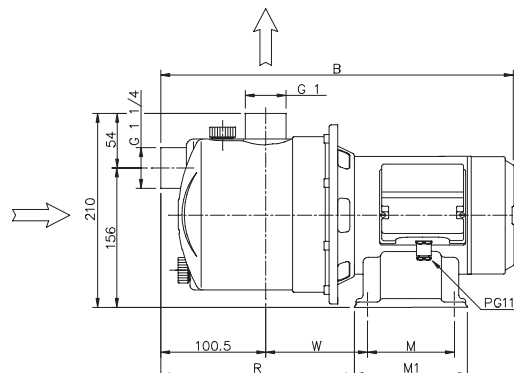
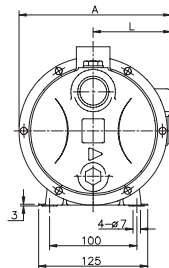
- Pump body, bracket, casing cover, motor casing and fan cover in AISI 304
- Shaft in AISI 303
- Impeller in AISI 304 for JE, in tecnopolymer for JES
- Mechanical seal in carbon/ceramic/NBR

TECHNICAL DATA

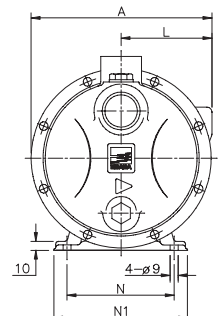
- T.E.F.C. 2 poles motor
- Insulation class F
- Protection degree IP44 (on request IP55)
- 1~230V ± 10% 50Hz, 3~230/400V ±10% 50Hz
- Permanent split capacitor and automatic thermal overload protection for single-phase version
- Thermal protection to be provided by the user for three-phase version
- Suction 1" for JES, 1 1/4" for JE
- Discharge 1"



JES



JE

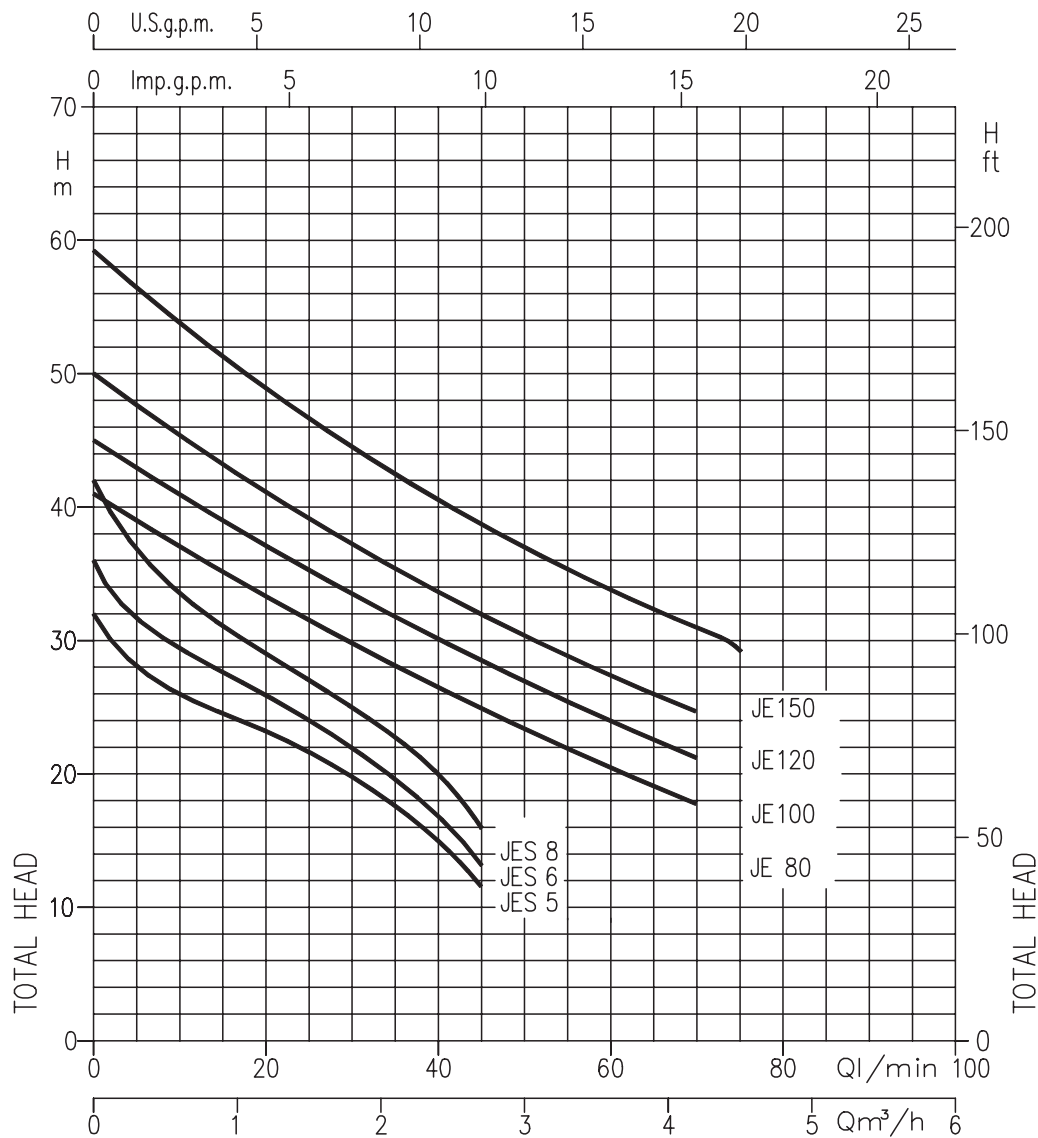


DIMENSIONAL TABLES

| Pump type | | Dimensions (mm) | | | | Weight (kg) |
|--------------|-------------|-----------------|-----|----|----|-------------|
| Single-phase | Three-phase | A | | L | | |
| JESM 5 | JES 5 | 1~ | 3~ | 1~ | 3~ | 5,6 |
| JESM 6 | JES 6 | 181 | 177 | 96 | 92 | 5,8 |
| JESM 8 | JES 8 | 181 | 177 | 96 | 92 | 6 |

| Pump type | | Dimensions (mm) | | | | | | | | | | Weight (kg) | |
|--------------|-------------|-----------------|-----|-----|-----|-----|-----|-----|-----|-----|-------|-------------|------|
| Single-phase | Three-phase | 1~ | 3~ | A | B | L | M | M1 | N | N1 | R | | W |
| JEM 80 | JE 80 | 209 | 205 | 401 | 105 | 101 | 100 | 130 | 120 | 150 | 213,5 | 128 | 12 |
| JEM 100 | JE 100 | 209 | 205 | 432 | 105 | 101 | 100 | 130 | 120 | 150 | 228,5 | 143 | 13,5 |
| JEM 120 | JE 120 | 209 | 205 | 432 | 105 | 101 | 100 | 130 | 120 | 150 | 228,5 | 143 | 13,5 |
| JEM 150 | JE 150 | 214 | 214 | 439 | 110 | 110 | 120 | 150 | 140 | 170 | 231 | 145,5 | 15,5 |

PERFORMANCE CURVES (according to ISO 9906 Annex A)



PERFORMANCE TABLE

| Pump type | | kW | Capacitor | | Absorbed Current (A) | | | l/min m³/h | Q=Capacity | | | | | | | | | |
|---------------------------|------------------------------|------|-----------|----------------|----------------------|---------------------|------|---------------|------------|------|------|------|------|------|------|------|----|--|
| Single-phase 230V 50Hz | Three-phase 230/400V 50Hz | | µF | V _c | Single-phase | Three-phase 230V | 400V | | 5 | 20 | 30 | 40 | 45 | 50 | 60 | 70 | 75 | |
| | | | | | | | | H=Total head | | | | | | | | | | |
| JESM 5 | JES 5 | 0,37 | 10 | 450 | 2,1 | 1,5 | 0,85 | 28 | 23 | - | 15 | 11,5 | - | - | - | - | | |
| JESM 6 | JES 6 | 0,44 | 10 | 450 | 2,4 | 1,9 | 1,1 | 31,5 | 26 | - | 17 | 13,5 | - | - | - | - | | |
| JESM 8 | JES 8 | 0,6 | 12,5 | 450 | 3,0 | 2,25 | 1,3 | 37 | 29 | - | 20 | 16 | - | - | - | - | | |
| JEM 80 | JE 80 | 0,6 | 16 | 450 | 4,7 | 3,3 | 1,9 | - | 33 | 29 | 26,5 | - | 23,5 | 20,5 | 18 | - | | |
| JEM 100 | JE 100 | 0,75 | 20 | 450 | 6,4 | 4,5 | 2,6 | - | 37 | 33,5 | 30 | - | 27 | 24 | 21 | - | | |
| JEM 120 | JE 120 | 0,88 | 20 | 450 | 6,7 | 4,7 | 2,7 | - | 41 | 37 | 34 | - | 30,5 | 27,5 | 24,5 | - | | |
| JEM 150 | JE 150 | 1,1 | 31,5 | 450 | 7,6 | 5,9 | 3,3 | - | 49 | 44,5 | 40,5 | - | 37 | 34 | 31 | 29,5 | | |