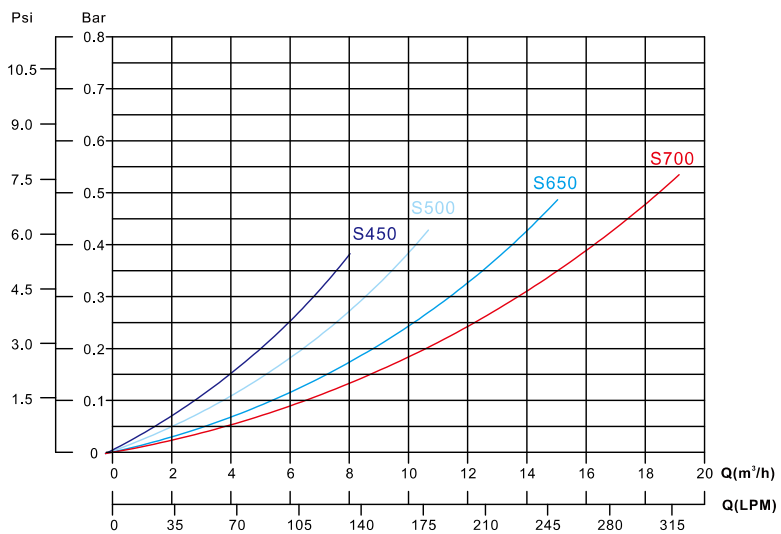


## S SERIES SIDE MOUNT FILTER (S450-S700)

### FEATURES



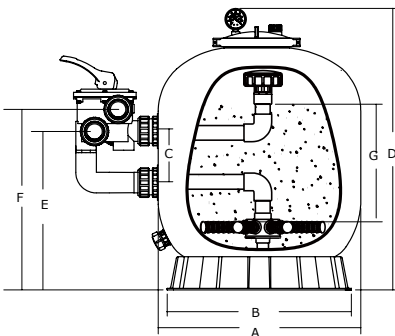
- Made of fiberglass
- Transparent lid cover allows easy inspection of the sand bed  
(Applicable on S450-S700)
- Top diffuser ensures even distribution of water over the top of the sand bed
- Air release valve enables easy release of trapped air during operation of the filter
- Materials used are dependable, non corrosive and are suitable for all - weather performance
- Large sand / water drain for rapid winterizing or servicing
- Easy-to-use water drain plug and multi-port valve lets you select any of the valve / filter operation with a simple lever-action
- UV resistance surface allows the filter to work under direct sunlight



### FUNCTIONS: Refer to 6-Way Multi-port Valve

Maximum Working Pressure 250kPa/36psi/2.5bar  
 Factory Testing Pressure 400kPa/58psi/4.0bar  
 Size of Silica Sand 0.5-0.8mm  
 Maximum Filtration Velocity 50m³/h/m²  
 Maximum Water Temperature 43°C(109°F)

### TECHNICAL CHARACTERISTICS



Code	Model No	Filter Area (m²)	Valve Connections	Max Flow Rate	Sand (kg)
88010703	S450	0.16	1½ inch 50mm	135lpm 8.10m³/h	45
88010704	S500	0.22	1½ inch 50mm	185lpm 11.10m³/h	85
88010705	S650	0.32	1½ inch 50mm	260lpm 15.60m³/h	145
88010707	S700	0.40	1½ inch 50mm	325lpm 19.50m³/h	210

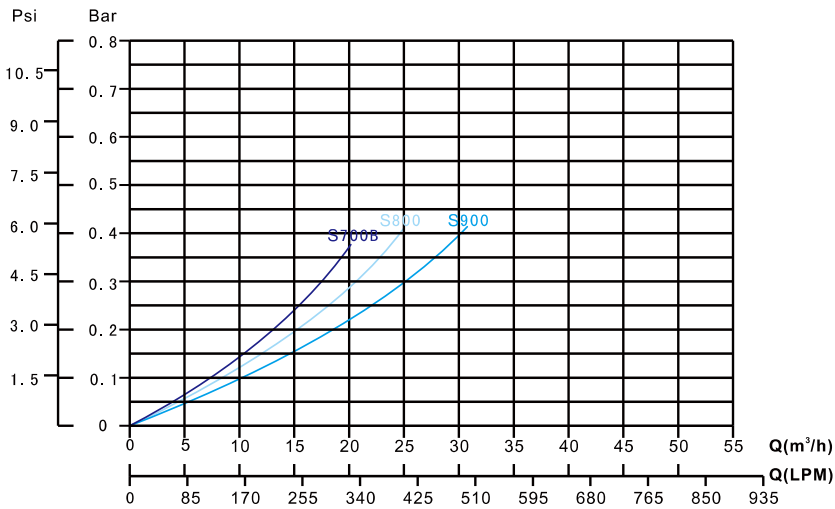
Model No	A mm	B mm	C mm	D mm	E mm	F mm	G mm
S450	455	390	180	730	360	420	210
S500	535	500	180	770	390	450	235
S650	635	500	180	850	430	490	300
S700	710	500	180	960	450	510	330

Sand size may differ from country to country and therefore sand weights may vary.

## S SERIES SIDE MOUNT FILTER (S700B-S900)

### FEATURES

- Made of fiberglass
- Top diffuser ensures even distribution of water over the top of the sand bed
- Air release valve enables easy release of trapped air during operation of the filter
- Materials used are dependable, non corrosive and are suitable for all - weather performance
- Large sand / water drain for rapid winterizing or servicing
- Easy-to-use water drain plug and multi-port valve lets you select any of the valves / filter operation with a simple lever-action
- UV resistance surface allows the filter to work under direct sunlight



### FUNCTIONS: Refer to 6-Way Multi-port Valve

Maximum Working Pressure	250kPa/36psi/2.5bar
Factory Testing Pressure	400kPa/58psi/4.0bar
Size of Silica Sand	0.5-0.8mm
Maximum Filtration Velocity	50m³/h/m²
Maximum Water Temperature	43°C(109°F)

### TECHNICAL CHARACTERISTICS

Code	Model No	Filter Area (m²)	Valve Connections	Max Flow Rate	Sand (kg)
88011208	S700(B)	0.41	2inch 63mm	336lpm 20.16m³/h	215
88011209	S800	0.53	2inch 63mm	435lpm 26.10m³/h	355
88011210	S900	0.66	2inch 63mm	550lpm 33.00m³/h	470

Model No	A mm	B mm	C mm	D mm	E mm	F mm	G mm
S700(b)	723	500	220	890	520	607	390
S800	820	753	220	1050	560	620	425
S900	920	753	220	1180	610	670	480

Sand size may differ from country to country and therefore sand weights may vary.

