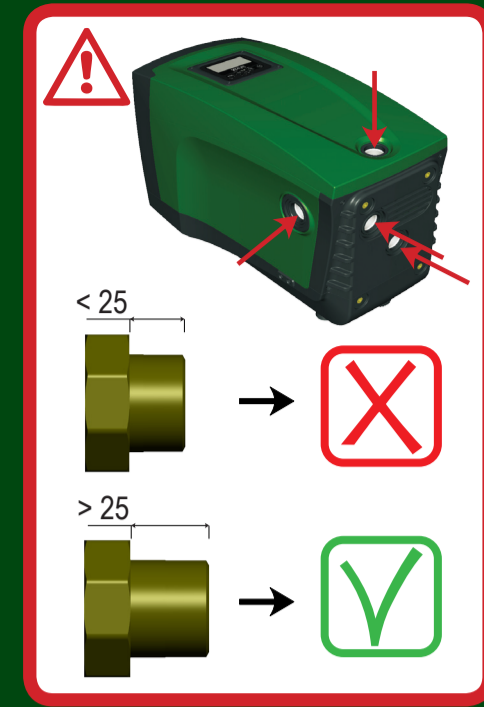
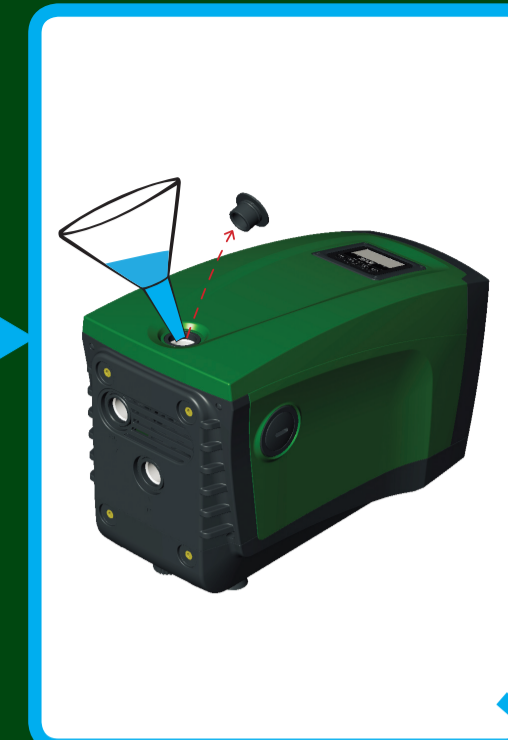
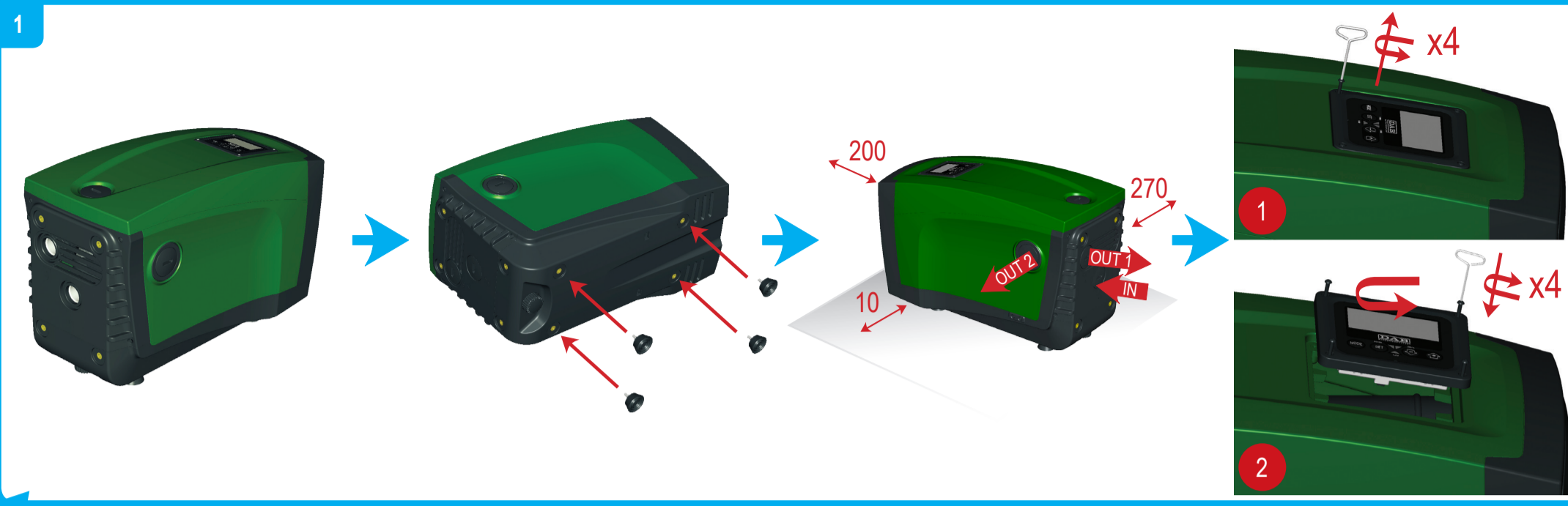


# e.sybox

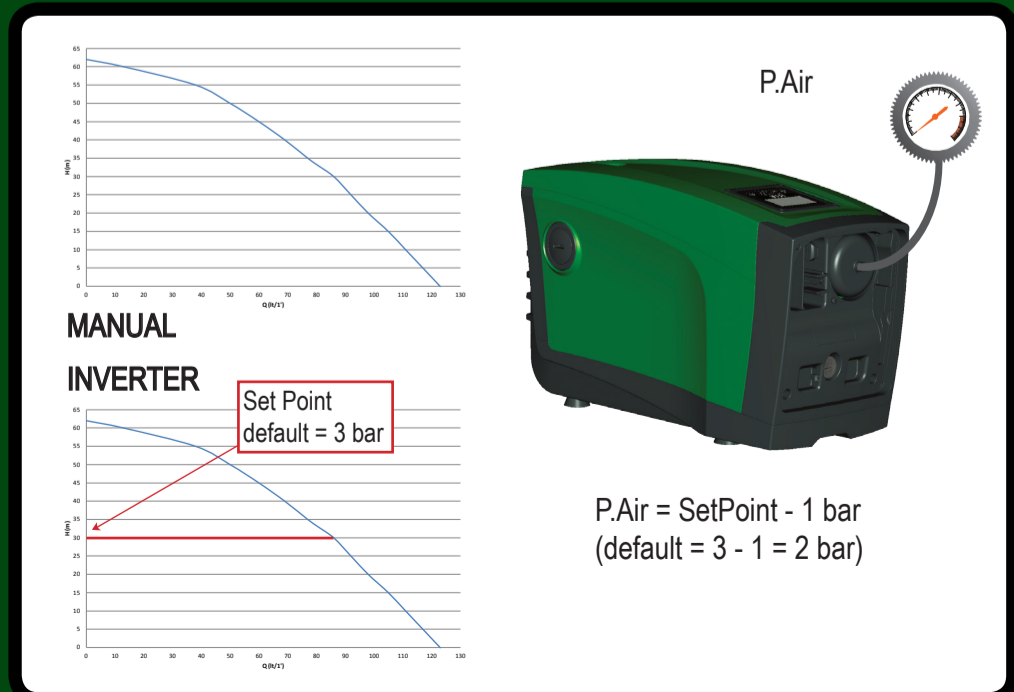
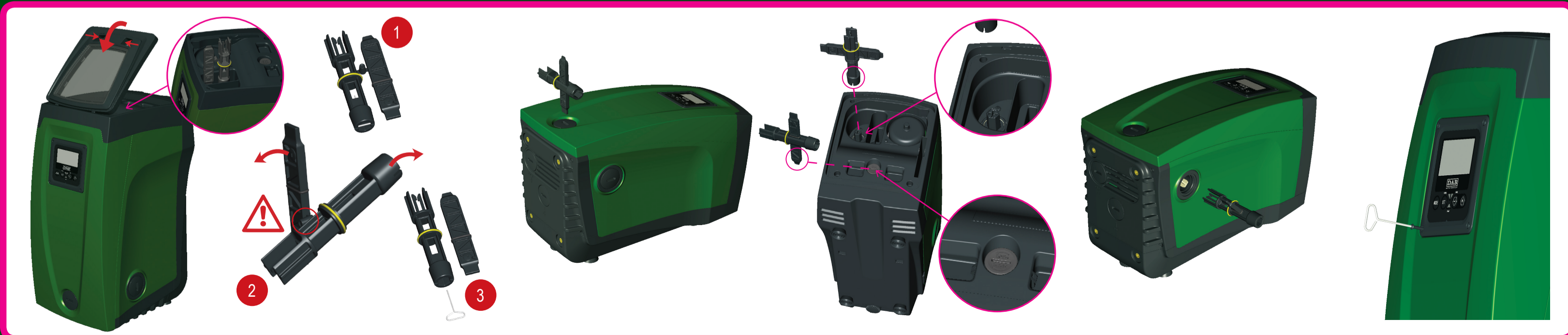
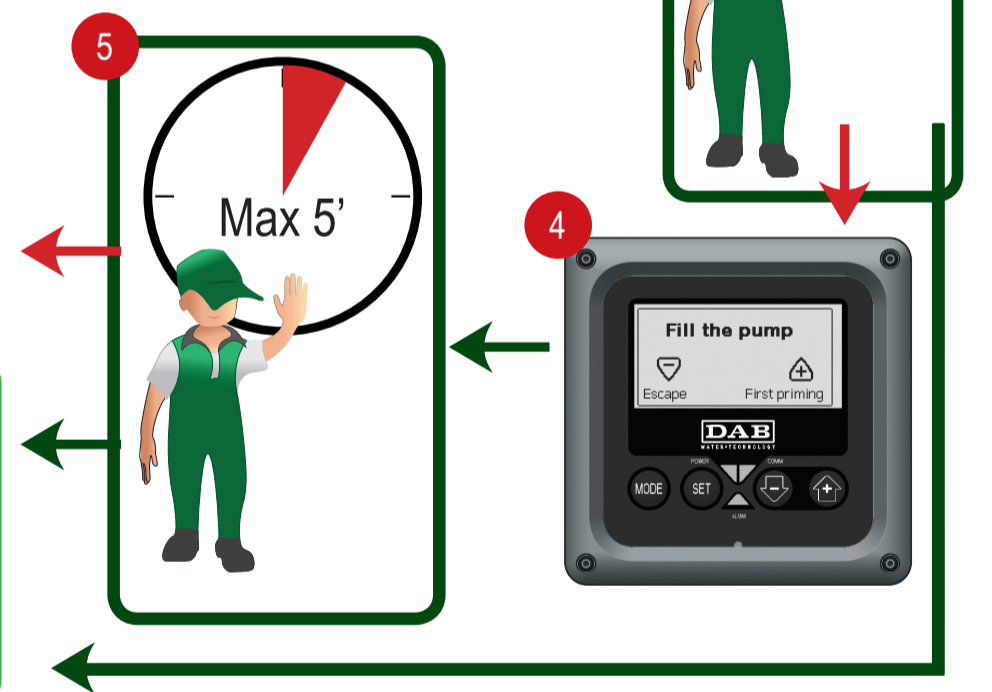
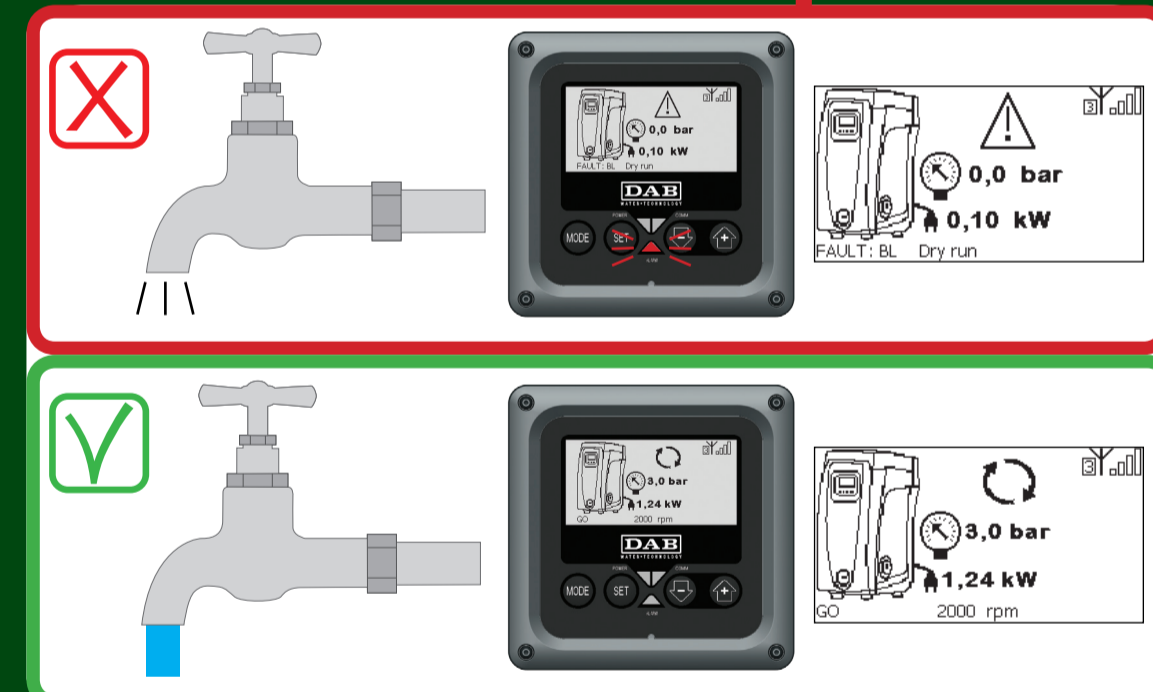
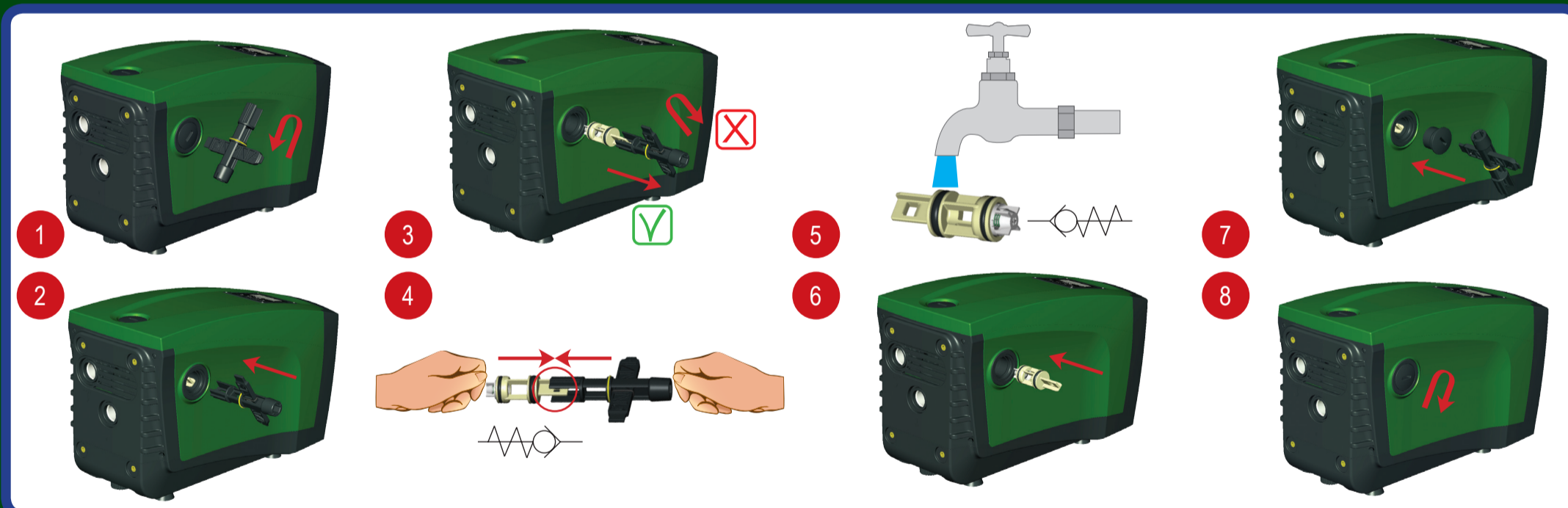
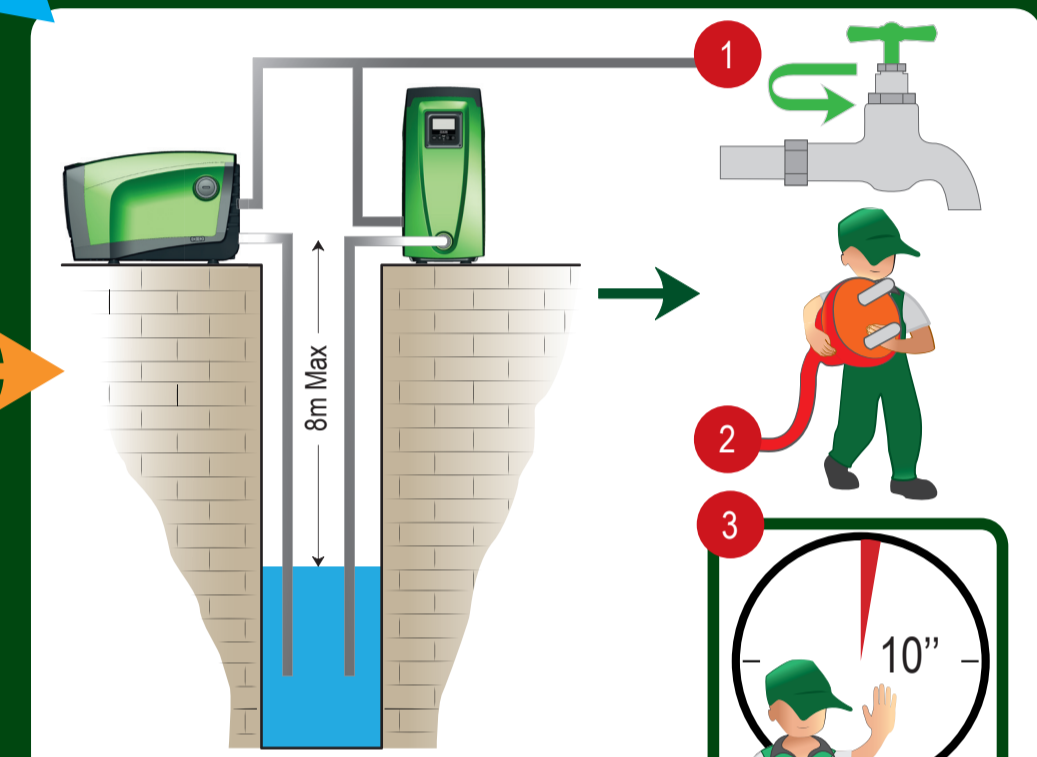
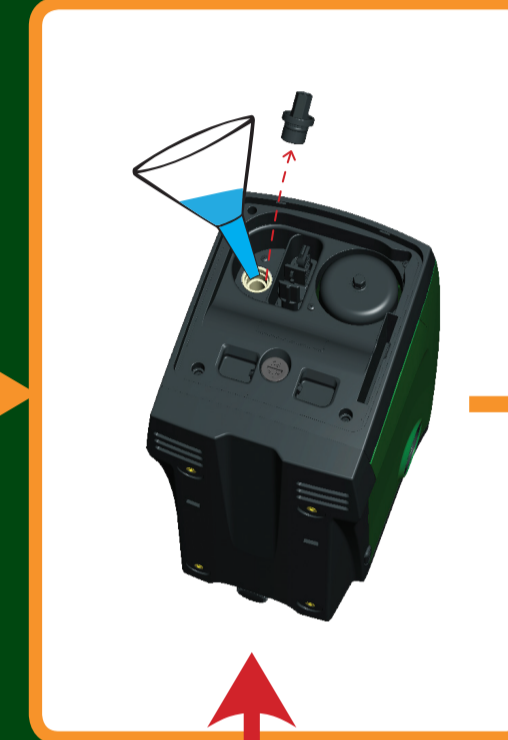
QUICK GUIDE

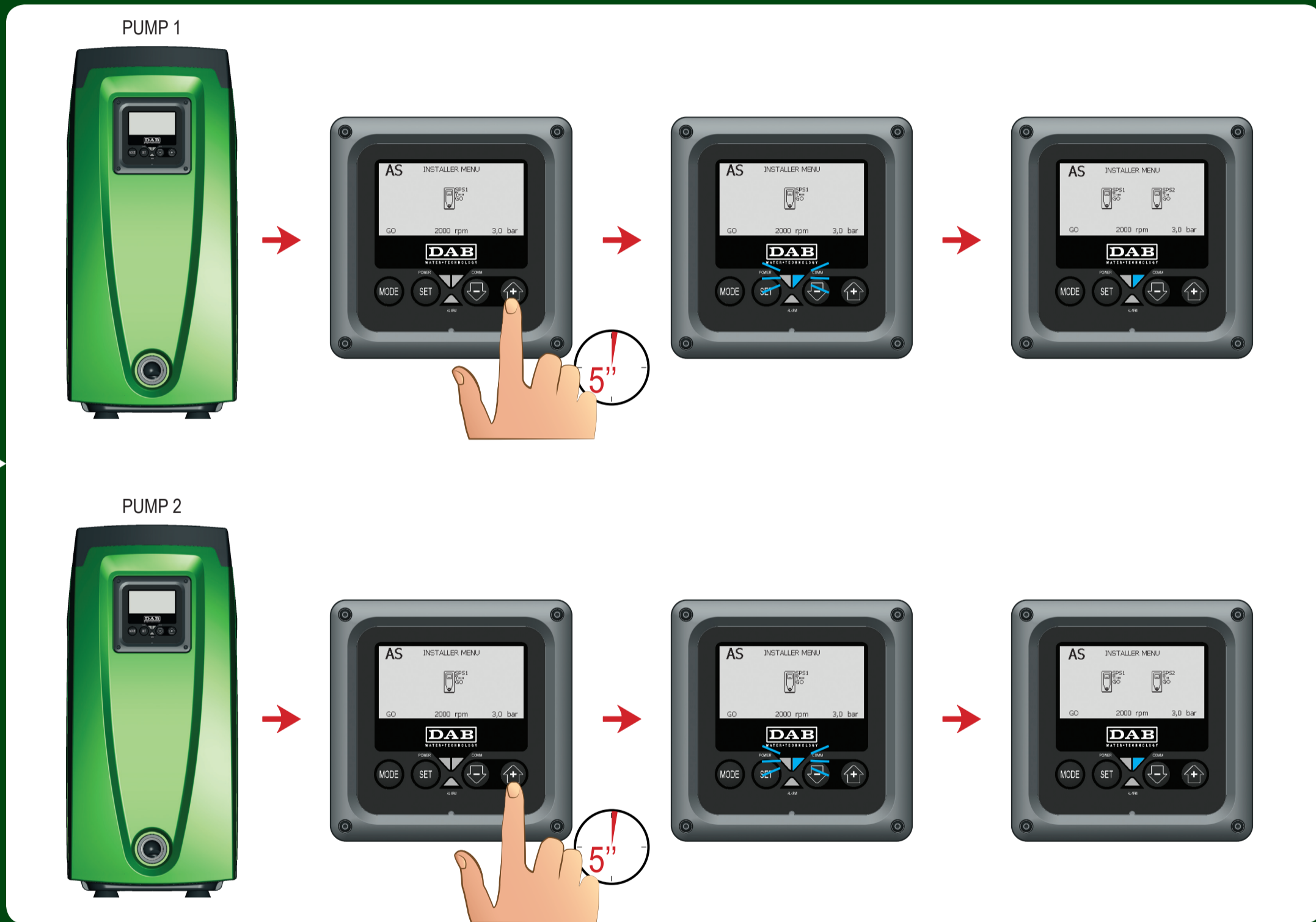
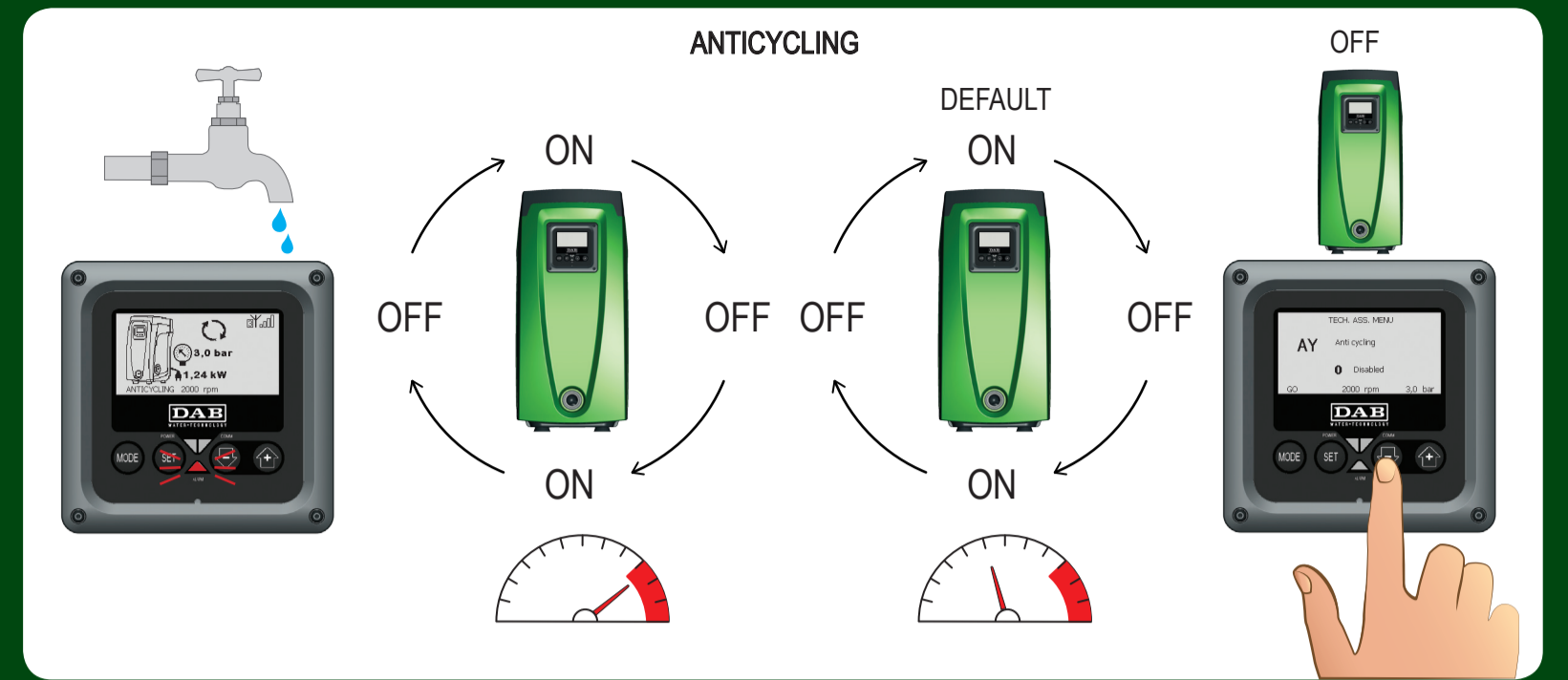
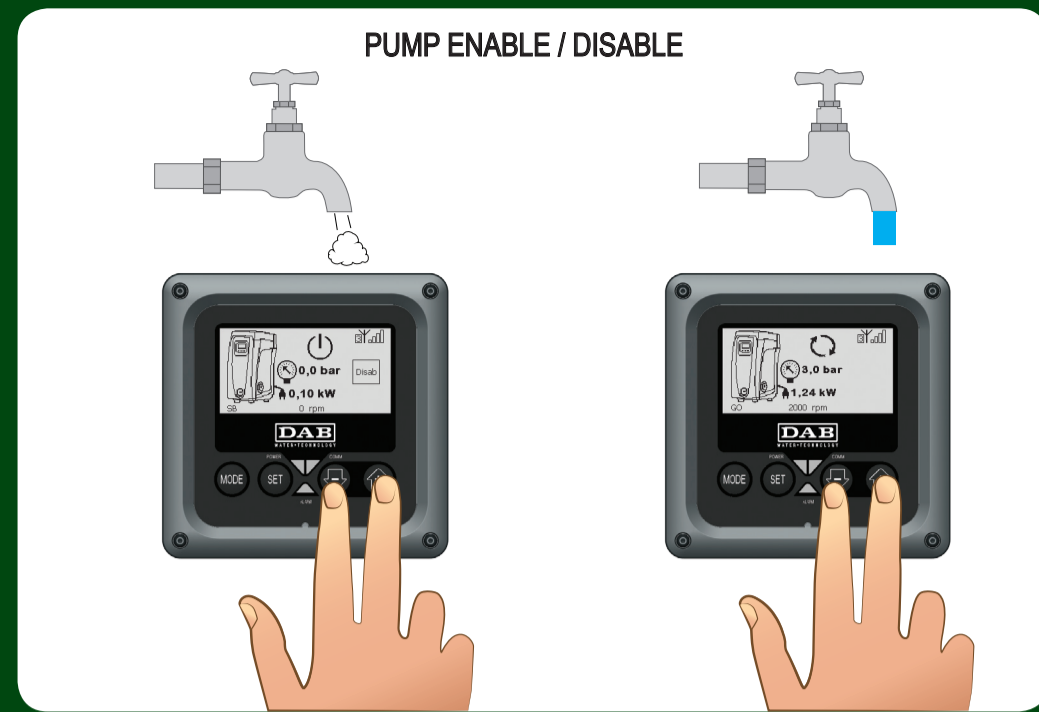
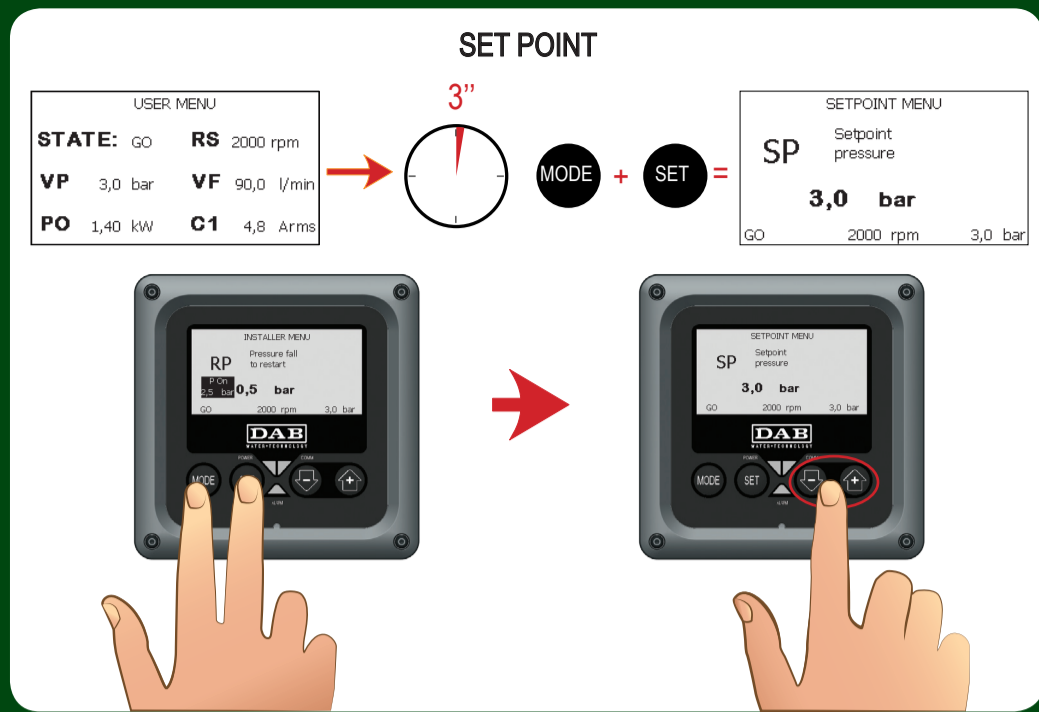


Automated Environmental Systems Ltd.  
Unit B, Anglian Lane, Bury St. Edmunds,  
Suffolk, IP32 6SR

01284 658770

AES is an approved DAB E.SYLINE partner





50°C Max

40°C Max

4°C Min

0°C Min

www.dabpumps.com/e.sybox

