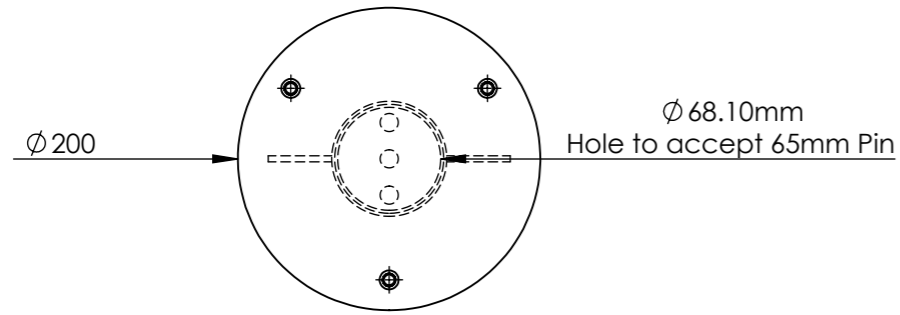
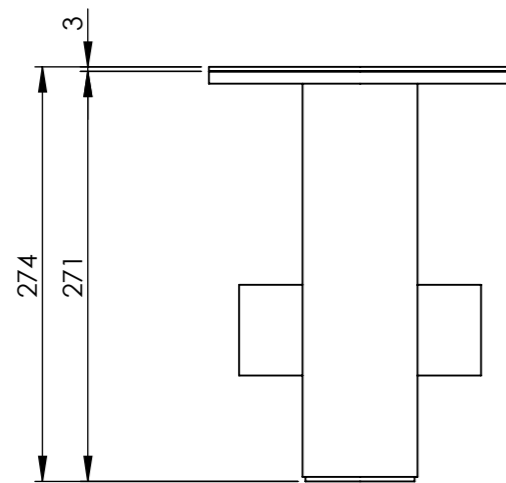


"500kg WLL Flush Mounted Davit Socket"

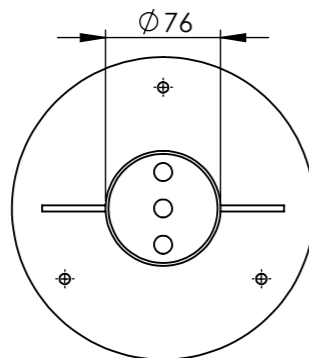
Finish Ref; Galvanised



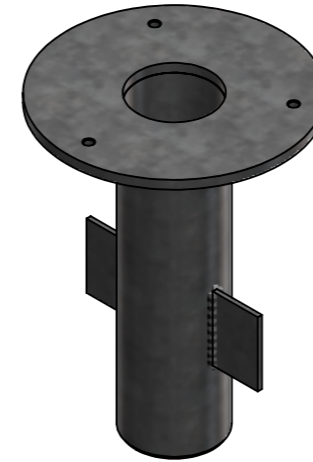
Plan View



Front Elevation



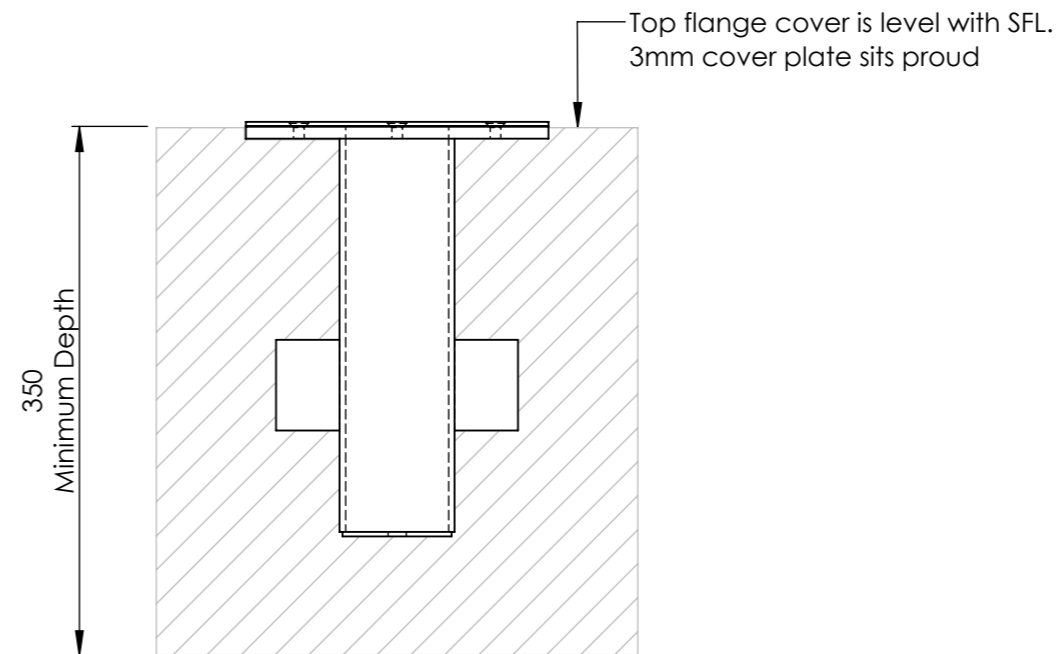
Underside Elevation



Isometric View
(Cover Plate Removed)



Isometric View



General Notes / Revisions

This drawing remains the property of T Allen Engineering Services Ltd and may not be copied or distributed, wholly or partially, without express permission in writing. If in doubt, ask. Unless otherwise stated, the structural integrity of the supporting substrate or superstructure should be ascertained by the customer. T Allen Engineering Services Ltd takes no responsibility

DO NOT SCALE OFF THIS DRAWING

Drawing No.	TAE-100-01		
Description	Flush Mounted Socket		
Revision	A		
Drawn By	D.Johnson		
Scale	1:5 @ A3	Sheet	1 of 1
Date	23/02/2017		

