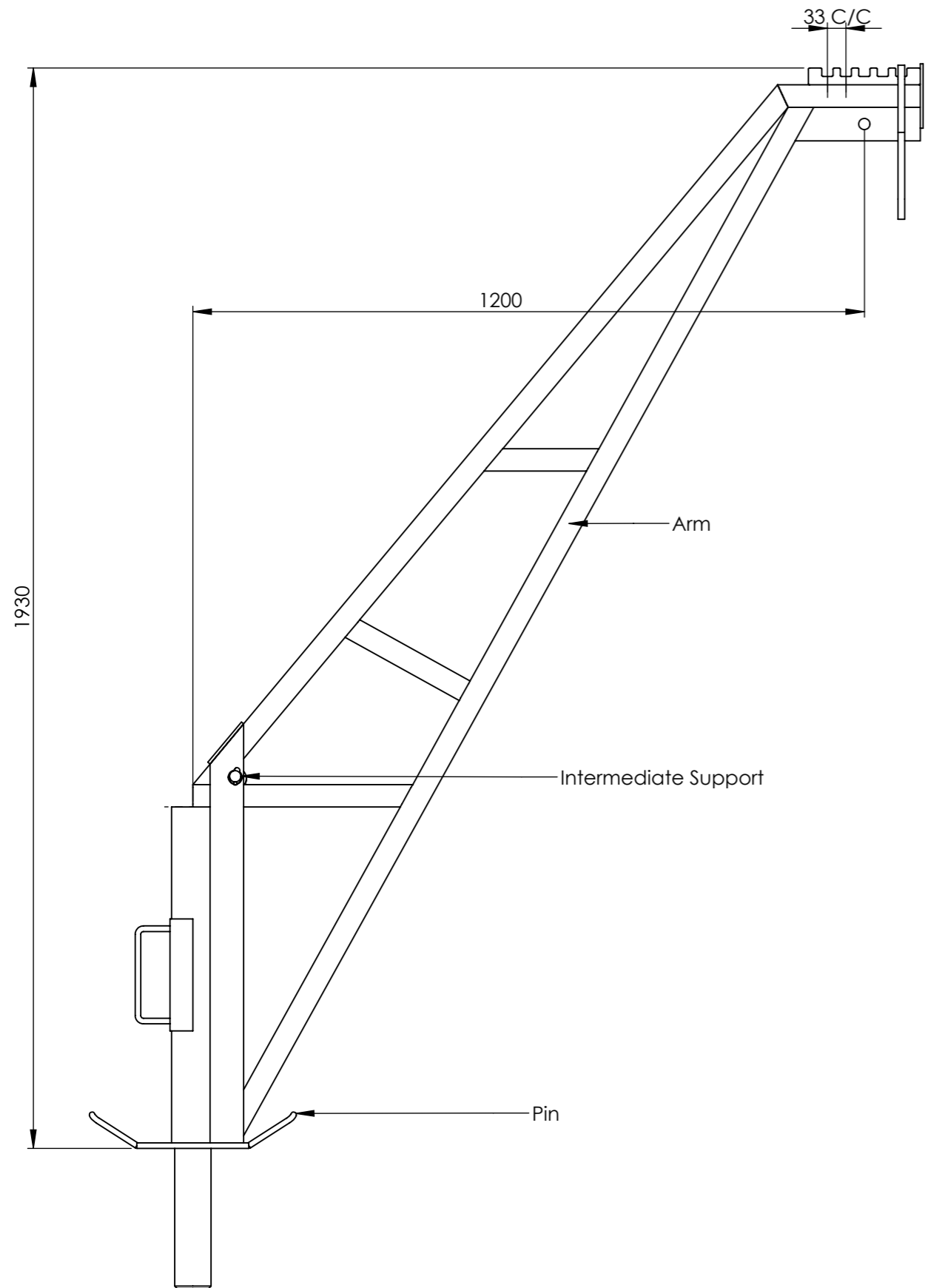


# "500KG WLL 1200mm Reach Lean Over Davit"

Finish Ref; Galvanised

Arm - 25kg, Intermediate Support - 24kg, Pin - 25kg



Front Elevation



Isometric View

General Notes / Revisions

This drawing remains the property of T Allen Engineering Services Ltd and may not be copied or distributed, wholly or partially, without express permission in writing. If in doubt, ask. Unless otherwise stated, the structural integrity of the supporting substrate or superstructure should be ascertained by the customer. T Allen Engineering Services Ltd takes no responsibility

DO NOT SCALE OFF THIS DRAWING

Drawing No.	TAE-202-01		
Description	500KG Davit		
Revision	A		
Drawn By	D.Johnson		
Scale	1:10 @ A3	Sheet	1 of 1
Date	13/03/2017		

