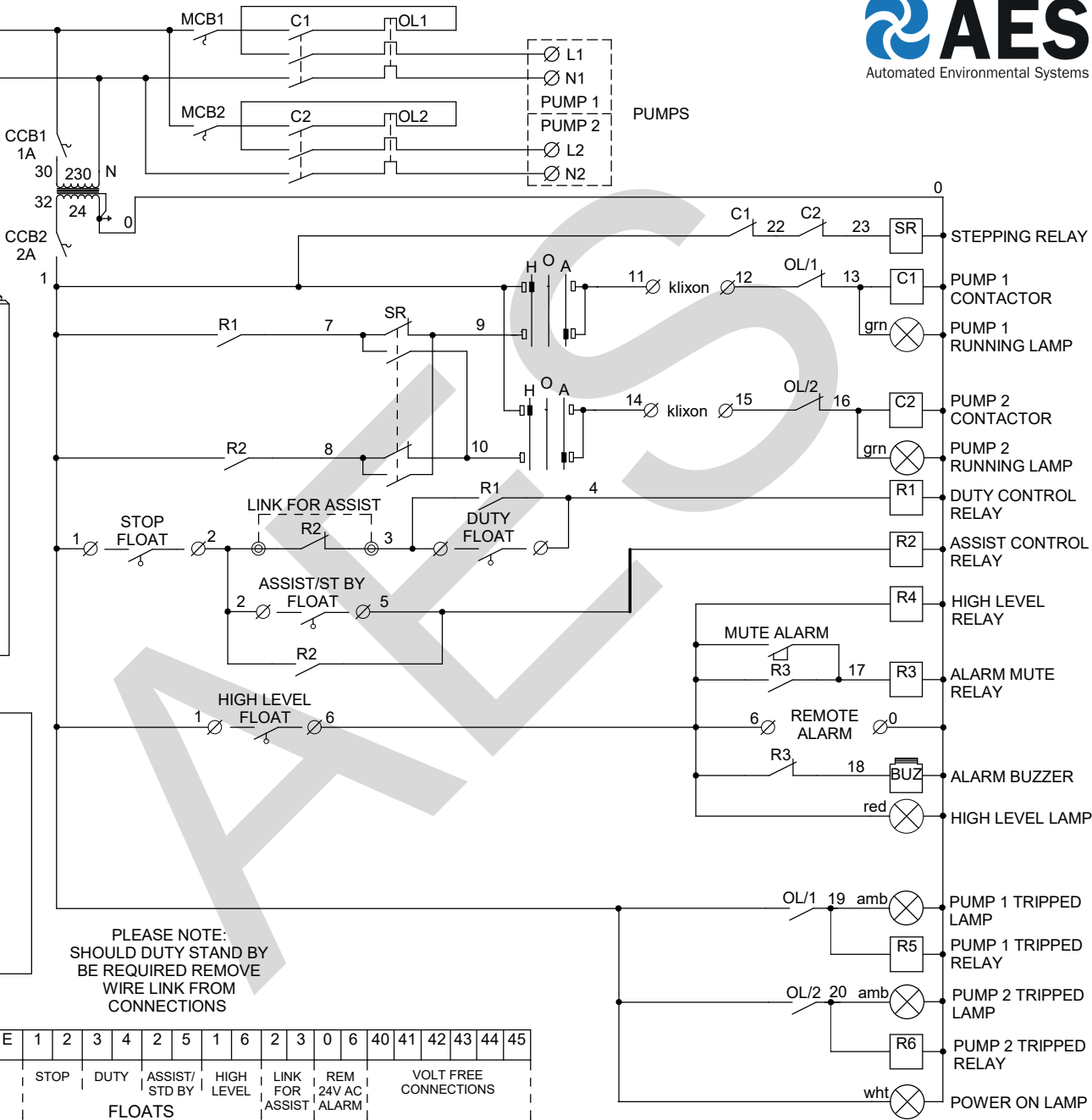
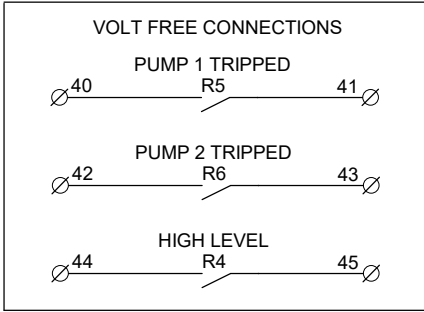
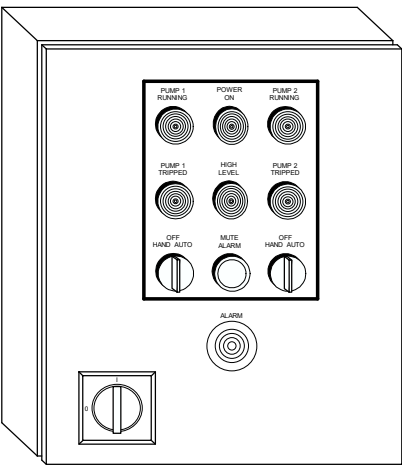


Key

	COIL		N/O CONTACT
	BUZZER		N/C CONTACT
	BEACON		N/O TIMER
	LAMP		N/C TIMER
	HEATER		FLOAT
	FUSE		LINK
	OUTGOING TERMINAL		
	INTERNAL TERMINAL		

ENCLOSURE SIZE
500mm HIGH
400mm WIDE
210mm DEEP



PLEASE NOTE:
SHOULD DUTY STAND BY
BE REQUIRED REMOVE
WIRE LINK FROM
CONNECTIONS

L1	N1	11	12	E	L2	N2	14	15	E	1	2	3	4	2	5	1	6	2	3	0	6	40	41	42	43	44	45
PUMP 1		KLIXON			PUMP 2		KLIXON			STOP	DUTY	ASSIST/STD BY	HIGH LEVEL	LINK FOR ASSIST	REM 24V AC ALARM	VOLT FREE CONNECTIONS											
FLOATS																											

Rev No	Description	Date	Rev No	Description	Date	Rev No	Description	Date	Rev No	Description	Date	Rev No	Description	Date	Rev No	Description	Date	Rev No	Description	Date	Rev No	Description	Date	Rev No	Description	Date	Rev No	Description	Date
--------	-------------	------	--------	-------------	------	--------	-------------	------	--------	-------------	------	--------	-------------	------	--------	-------------	------	--------	-------------	------	--------	-------------	------	--------	-------------	------	--------	-------------	------

Drawing No	Drawn by D.L.
Job No	Checked by G.L.
Sheet No 1 / 1	Date